

TONONE



T O N O N E



TONONE

"It is with enthusiasm that we present to you the new Tonone catalogue. This edition is filled with new photography, and, of course, our latest lighting concept, Bridge, is represented. The new linear pendant lamp is made of recycled plexiglass and is available in opal white and in two striking neon colour variations: orange and green. The material's transparency creates an interesting layering and impressive light output. As with the other lamps in the collection, Tonone's bold and functional signature is evident in this new design.

Since 2013, Tonone has been growing steadily, and our hand-assembled lamps are increasingly spreading across national borders. We are delighted that our products are finding their way around the world. Our lamps shine in the most unique locations, such as modern offices, luxury restaurants, and bank buildings. Nevertheless, the Tonone team's heart (still) leaps when we see our lamps in people's homes. The biggest compliment we can receive is your choice to welcome Tonone into your home!

We hope this catalogue inspires you and contributes to creating your ideal living and working space."

With love,

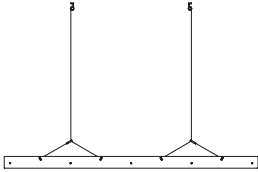
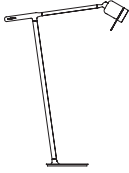

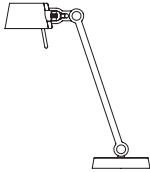






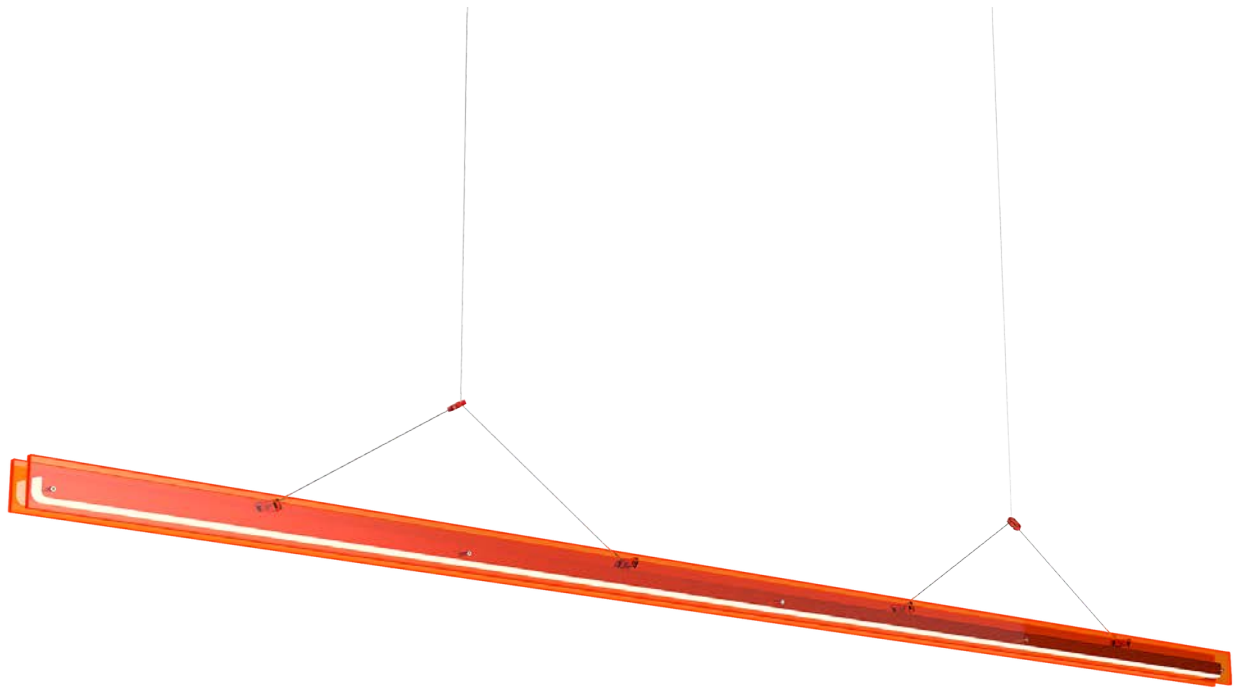
Anton de Groof



VANITY FAIR PORTRAITS

TABLE OF CONTENTS

BRIDGE		9
ONE		15
BELLA		29
BOLT		37
BEADS		63
MR. TUBES LED		81
ATLAS		95
ELLA		101
SPECIFICATIONS		107



BRIDGE

A linear LED lamp that allows for a graphic interplay of lines and offers the opportunity to experiment with composition. Just like a real bridge, Bridge has different supports, so that the load-bearing capacity is evenly distributed along its length. Bridge doesn't have a power cable that catches the eye. That's because the power is conducted by steel cables, which are also used to hang the lamp. The lamp is available in different lengths. The available lengths are 110, 150, 180 and 220 cm. Bridge is made from recycled plexiglass and is offered in the color Fog White and in two striking neon color variations: Lava Orange (fluorescent orange) and Toxic Green (fluorescent green).





BRIDGE

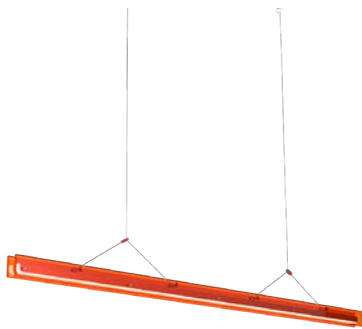
Design by Anton de Groof 2023

Material Aluminum, acrylic and steel
 Description A linear LED lamp that allows for a graphic interplay of lines and offers the opportunity to experiment with composition. The design is functional, but also contains the typical layering of Tonone.
 Volt 220-240 V
 Watt 19 - 38 Watt
 Led color 2700K

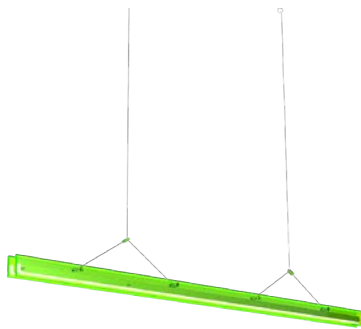
Colors 

More specifications on pages 107 - 128

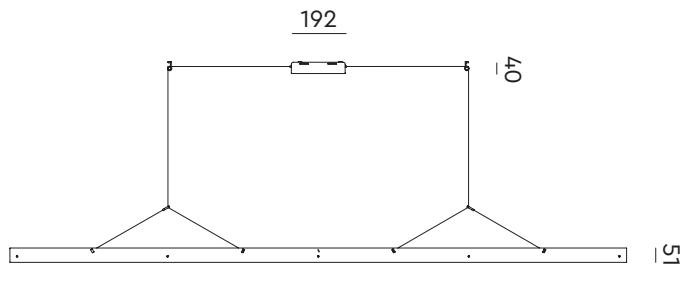
lava orange



toxic green



fog white



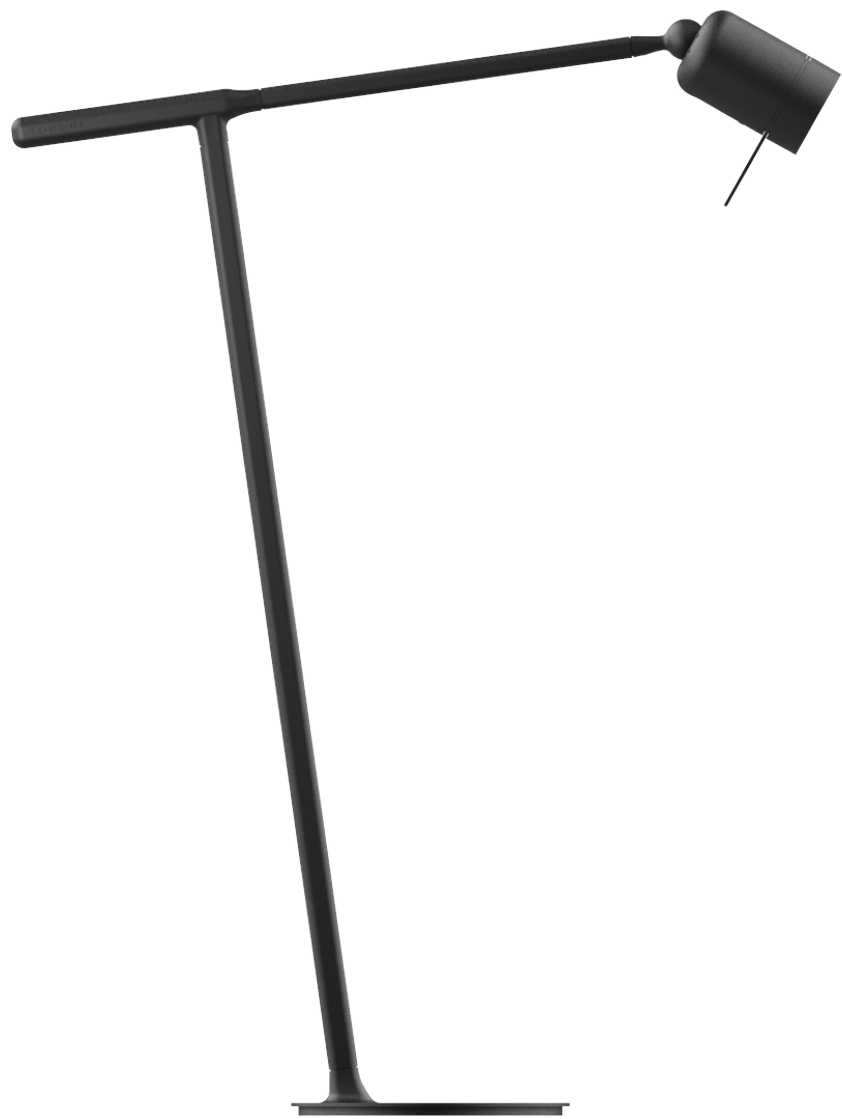
Bridge 110 = 1100
 Bridge 150 = 1495
 Bridge 180 = 1800
 Bridge 220 = 2200

49



35

cable length = 2200 - 2600
 longer steel cables available on request



ONE

The portable and rechargeable design lamp is a true all-rounder. You can take the lamp anywhere you want and it fits in every room of your house. Thanks to its magnetic attachment, you're able to snap the ONE on its fixture with just one simple movement. With its fully charged built-in battery, it lights up your life up to 30 hours. The ONE is easy to charge with the included cable. The ONE is available in 3 colors. Combine the ONE with one of the fixtures and make a floor, desk, ceiling or wall lamp.







ONE + KNOB

Design by Anton de Groof 2022

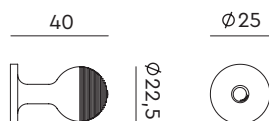
Material Aluminum & steel
Description The lamp is made out of powder coated aluminum and steel. The ONE is portable and has a built-in battery. The magnetic attachment allows you to snap ONE onto different fixtures. Charging cable included.
Volt 220-240 V | Max 1,5 Watt
Light source Integrated dimmable led
Led color 2700K
CRI 90

Colors

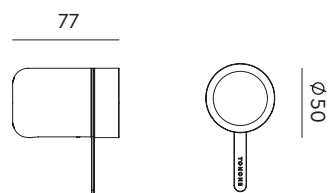
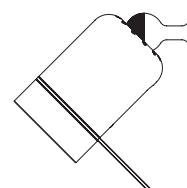


More specifications on pages 107 - 128

knob



one + knob





DESK

Design by Anton de Groof 2022

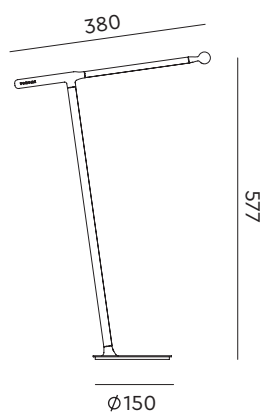
Material Aluminum & steel
Description ONE + desk is made out of powder coated aluminum and steel. The ONE is portable and has a built-in battery. The magnetic attachment allows you to snap ONE onto different fixtures. Charging cable included.
Volt 220-240 V | Max 1,5 Watt
Light source Integrated dimmable led
Led color 2700K
CRI 90

Colors

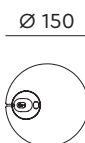
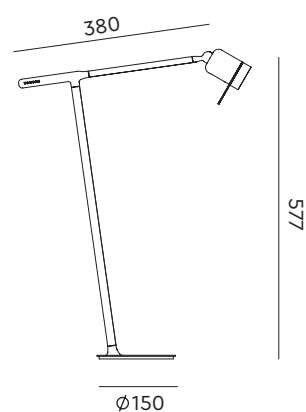


More specifications on pages 107 - 128

desk



one + desk





FLOOR

Design by Anton de Groof 2022

Material Steel & aluminum
Description ONE + floor is made out of powder coated aluminum and steel. The ONE is portable and has a built-in battery. The magnetic attachment allows you to snap ONE onto different fixtures. Charging cable included.
Volt 220-240 V | Max 1,5 Watt
Light source Integrated dimmable led
Led color 2700K
CRI 90

Colors

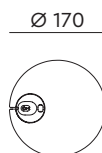
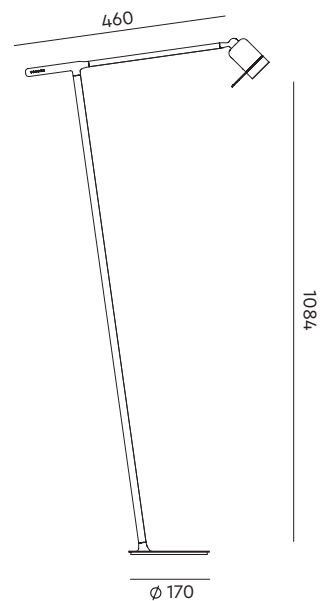
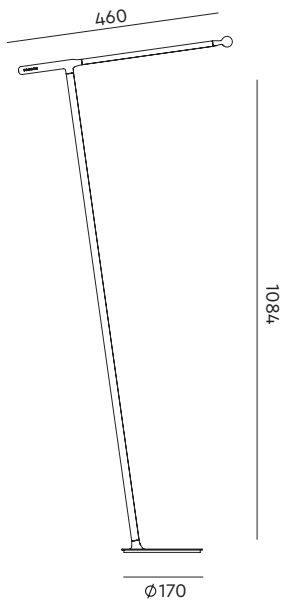


More specifications on pages 107 - 128

floor



one + floor





FLOOR STRAIGHT

Design by Anton de Groof 2023

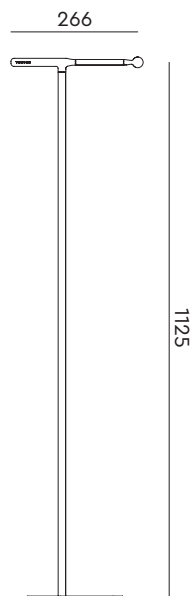
Material Steel & aluminum
Description ONE + floor is made out of powder coated aluminum and steel. The ONE is portable and has a built-in battery. The magnetic attachment allows you to snap ONE onto different fixtures. Charging cable included.
Volt 220-240 V | Max 1,5 Watt
Light source Integrated dimmable led
Led color 2700K
CRI 90

Colors

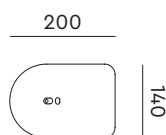
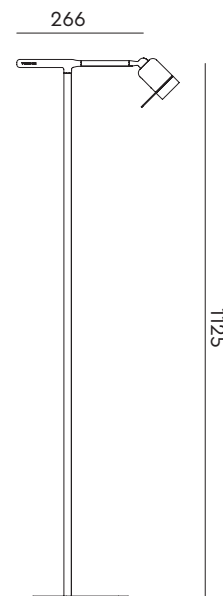


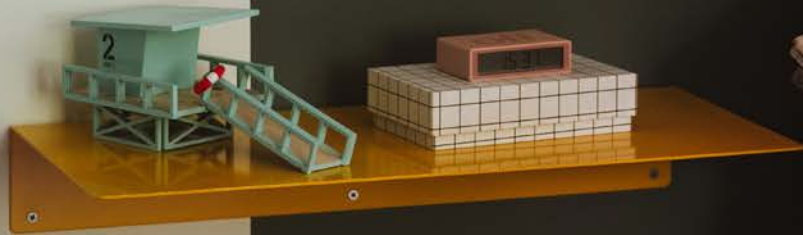
More specifications on pages 107 - 128

floor



one + floor





WALL

Design by Anton de Groof 2022

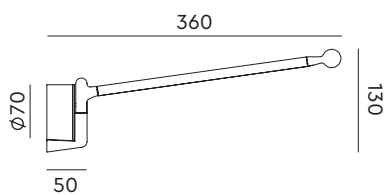
Material	Steel & aluminum
Description	ONE + wall is made out of powder coated aluminum and steel. The ONE is portable and has a built-in battery. The magnetic attachment allows you to snap ONE onto different fixtures. Charging cable included.
Volt	220-240 V Max 1,5 Watt
Light source	Integrated dimmable led
Led color	2700K
CRI	90

Colors

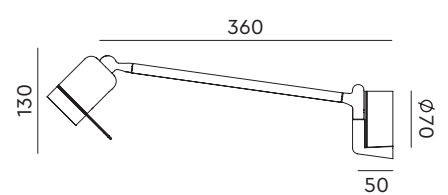


More specifications on pages 107 - 128

wall fixture



one + wall





BELLA

The Tonone Bella truly lives up to her name: she's a real Bella. Because of the three legs, a closed lampshade and the use of only one screw, this lamp has a functional design. The choice of powder-coated steel makes the Bella strong, both in her appearance and her construction.

Bella is available in 2 different models, as a pendant and table lamp, and 11 colors. To customize the design even further, you can choose the color of the fitting: black or brass.







TABLE

Design by Anton de Groof 2022

Material Aluminum & steel
Description The three legs are made of powder coated steel, the lampshade of coated aluminum. The Bella is almost completely screwless, the fitting is the only part that is secured with a screw.
Volt 220-240 V
Max Watt 60 Watt
Socket E27

Colors

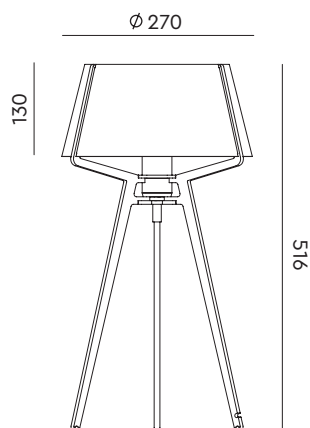


More specifications on pages 107 - 128

black aluminum fitting



brass fitting





PENDANT

Design by Anton de Groof 2022

Material Aluminum & steel
Description The lampshade is made of powder coated aluminum. The Bella is almost completely screwless, the fitting is the only part that is secured with a screw. The ceiling cap comes in the same color as the lamp.
Volt 220–240 V
Max Watt 60 Watt
Socket E27

Colors

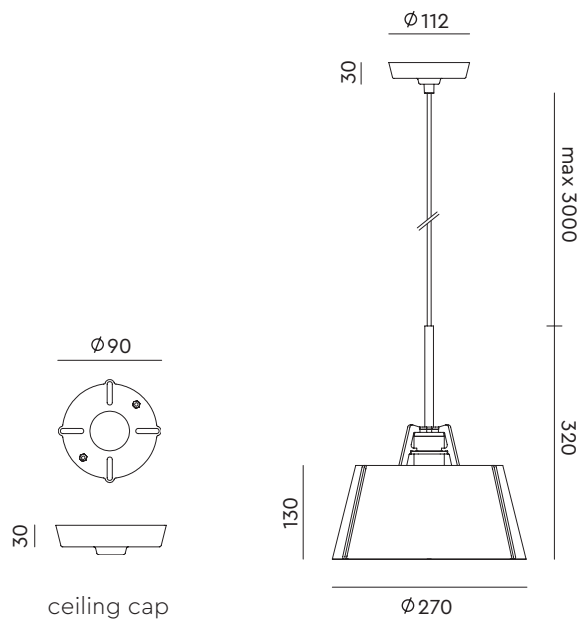


More specifications on pages 107 – 128

black aluminum fitting



brass fitting





BOLT

The starting point for the products of Tonone is the passion for traditional mechanics. The first product line that resulted from this fascination is the lamp series 'Bolt'.

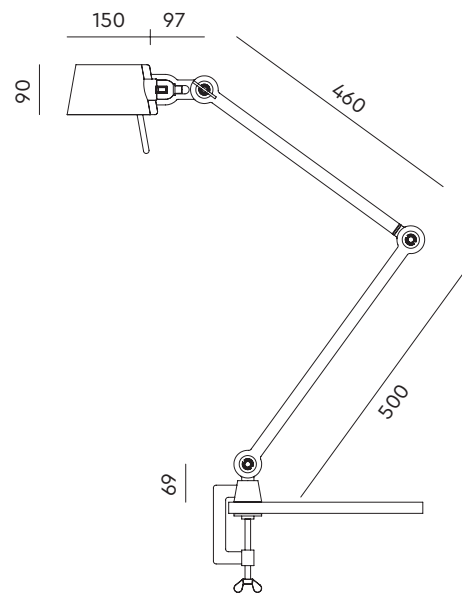
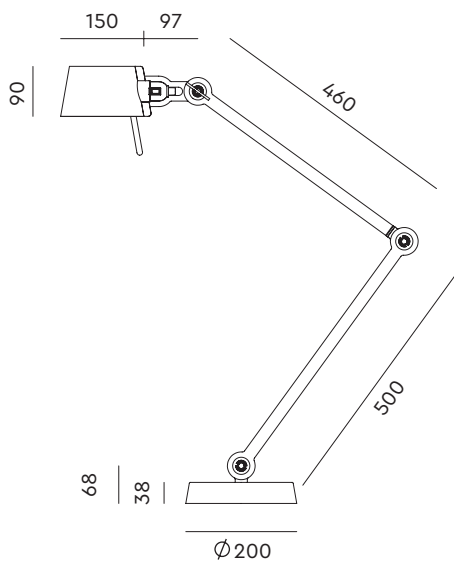
The key element in this industrial series is the joint construction that can be adjusted with a wingnut-shaped tool. Besides being a functional tool, this wingnut is integrated in the design of the lamp itself as a distinctive visual element.



2 arm foot



2 arm clamp



DESK

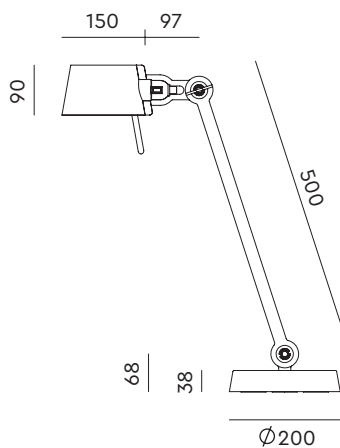
Design by Anton de Groof 2013

Material Steel & aluminum
Description Base and body in powder coated steel, shade in powder coated aluminum.
The shade and arms are adjustable with the wingnut.
Volt 220-240 V
Max Watt 60 Watt
Socket E27

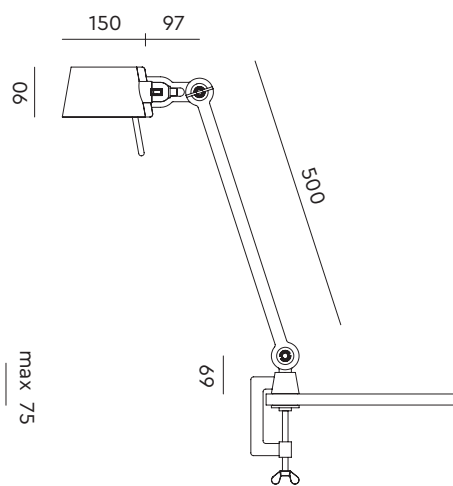
Colors 

More specifications on pages 107 - 128

1 arm foot



1 arm clamp





CROSLEY





DESK SMALL

Design by Anton de Groof 2013

Material	Steel & aluminum
Description	Base and body in powder coated steel, shade in powder coated aluminum. The shade and arms are adjustable with the wingnut.
Volt	220-240 V
Max Watt	60 Watt
Socket	E27

Colors 

More specifications on pages 107 - 128

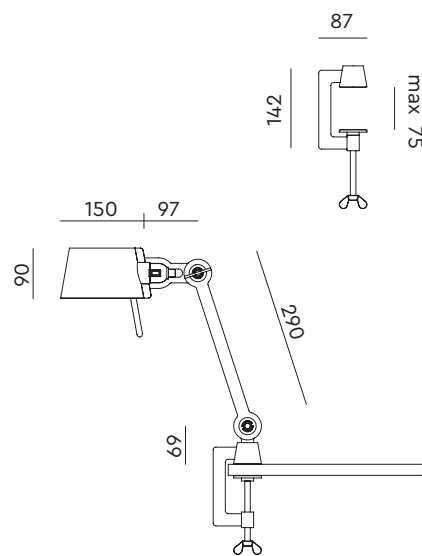
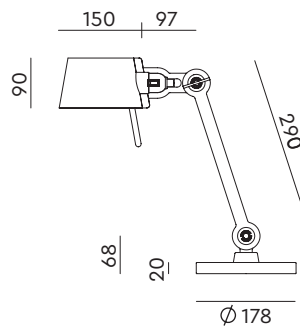
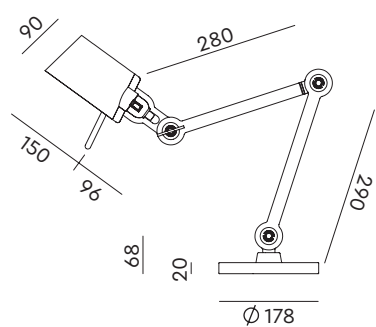
2 arm small

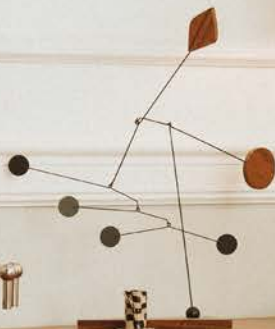
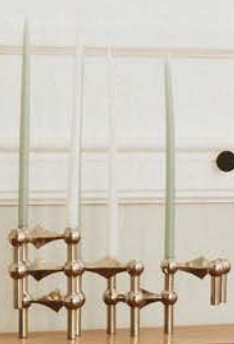


1 arm small



1 arm small clamp





TABLE

Design by Anton de Groof 2013

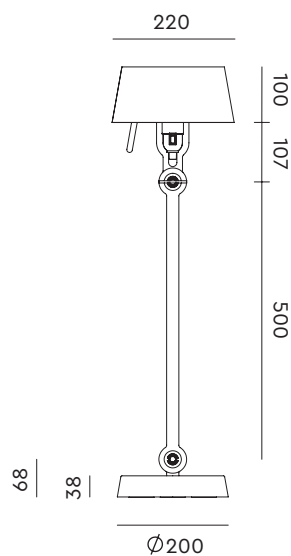
Material	Steel & aluminum
Description	Base and body in powder coated steel, shade in powder coated aluminum. The shade and arms are adjustable with the wingnut.
Volt	220-240 V
Max Watt	60 Watt
Socket	E27

Colors

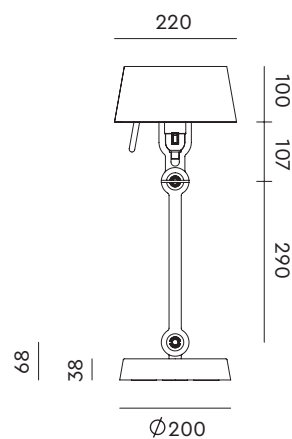


More specifications on pages 107 - 128

standard



small





FLOOR

Design by Anton de Groof 2013

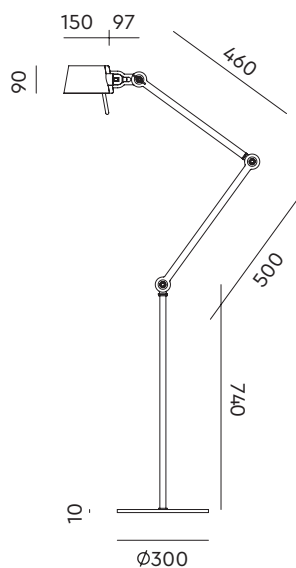
Material	Steel & aluminum
Description	Base and body in powder coated steel, shade in powder coated aluminum. The shade and arms are adjustable with the wingnut.
Volt	220-240 V
Max Watt	60 Watt
Socket	E27

Colors

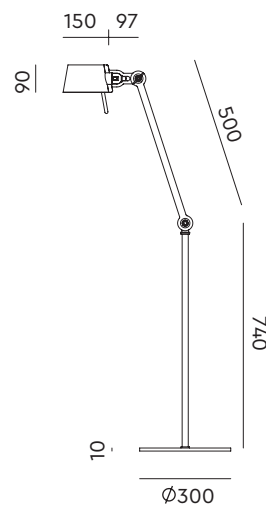


More specifications on pages 107 - 128

2 arm sidefit



1 arm sidefit





FLOOR LONG

Design by Anton de Groof 2013

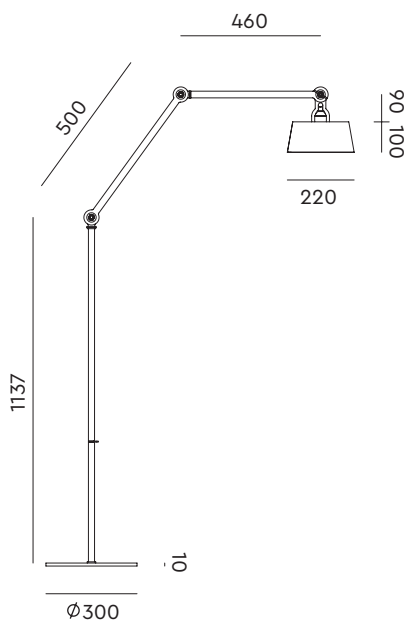
Material	Steel & aluminum
Description	Base and body in powder coated steel, shade in powder coated aluminum. The shade and arms are adjustable with the wingnut.
Volt	220-240 V
Max Watt	60 Watt
Socket	E27
Dimmer	2 arm upperfit includes a LED dimmer

Colors

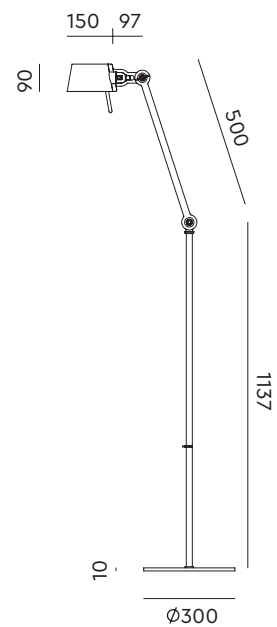


More specifications on pages 107 - 128

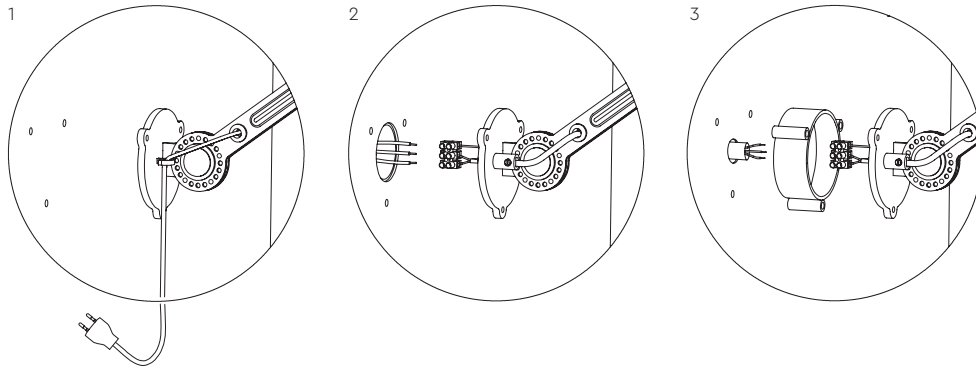
long 2 arm upperfit



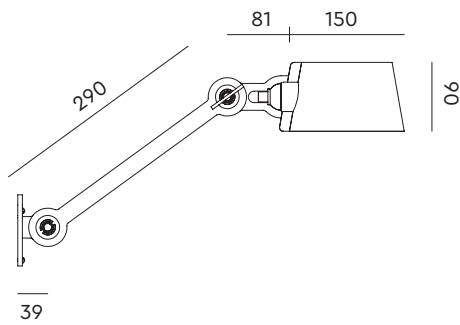
long 1 arm sidefit



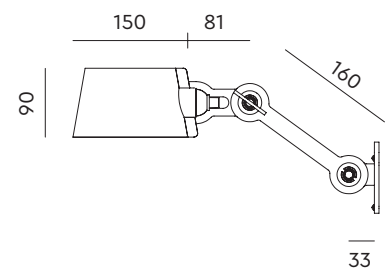
Installation



sidefit



sidefit small



WALL

Design by Anton de Groof 2013

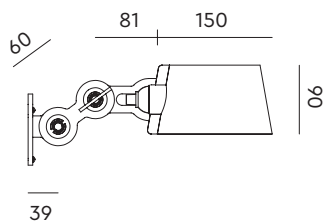
Material	Steel & aluminum
Description	Body in powder coated steel, shade in powder coated aluminum. The shade and arms are adjustable with the wingnut.
Volt	220-240 V Max 60 Watt
Socket	E27
Installation- options	1. powercord including switch and europlug 2. terminal block to install directly on a junction box 3. option 2 + optional wall ring

Colors

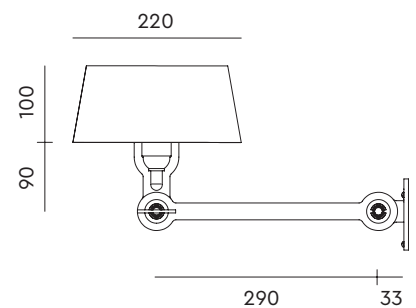


More specifications on pages 107 - 128

sidefit mini



underfit





BED

Design by Anton de Groof 2013

Material	Steel & aluminum
Description	Body in powder coated steel, shade in powder coated aluminum. The shade and arms are adjustable with the wingnut. The bed version can be swiveled horizontally.
Volt	220-240 V Max 60 Watt
Socket	E27
Installation- options	1. powercord including europlug 2. terminal block to install directly on a junction box 3. option 2 + optional wall ring

Colors



More specifications on pages 107 - 128

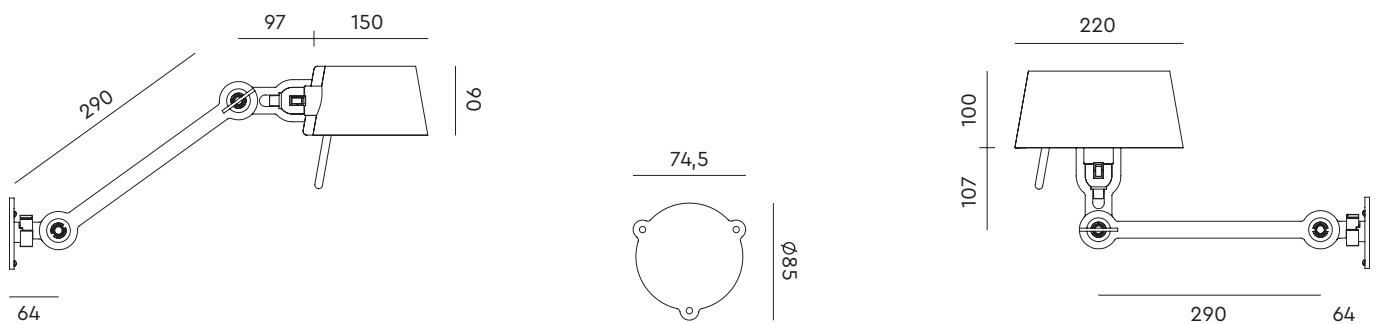
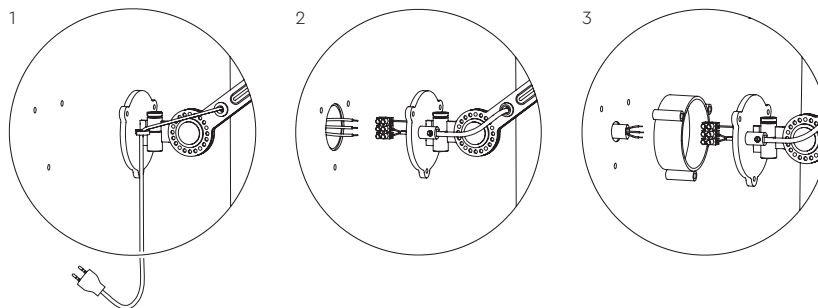
sidefit



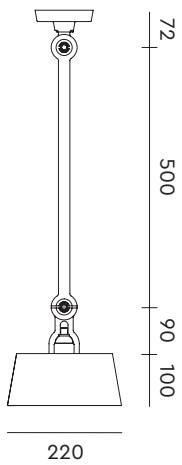
underfit



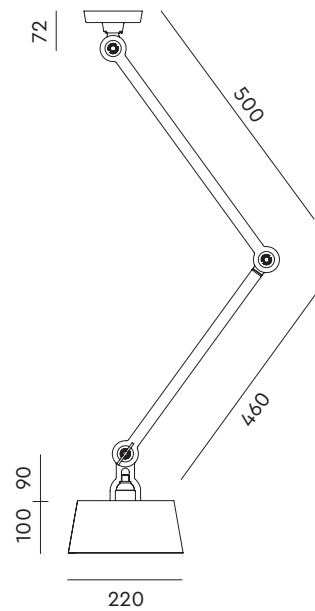
Installation



1 arm upperfit



2 arm upperfit



CEILING

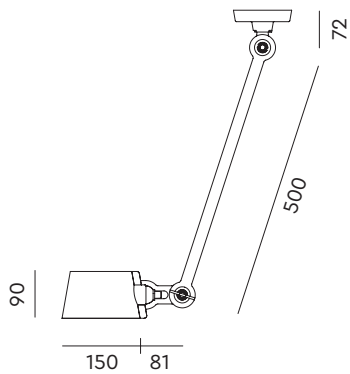
Design by Anton de Groof 2016

Material Steel & aluminum
Description Body in powder coated steel, shade in powder coated aluminum.
The shade and arms are adjustable with the wingnut.
Volt 220-240 V | Max 60 Watt
Socket E27

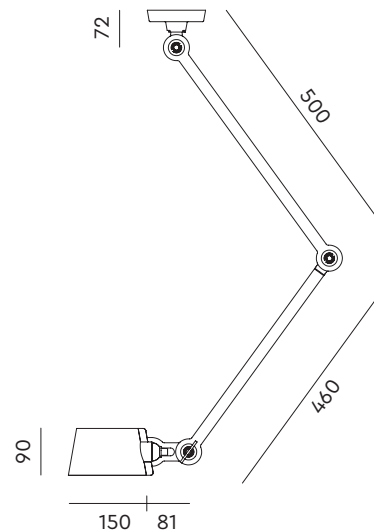
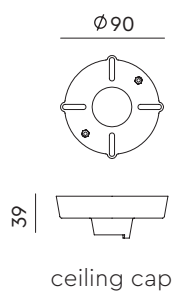
Colors 

More specifications on pages 107 - 128

1 arm sidefit



2 arm sidefit





CHANDELIER

Design by Anton de Groof 2013

Material Steel & aluminum
Description Body in powder coated steel, shades in powder coated aluminum.
The shades and arms are adjustable with the wingnut.
Volt 220-240 V
Max Watt 60 Watt
Socket E27

Colors

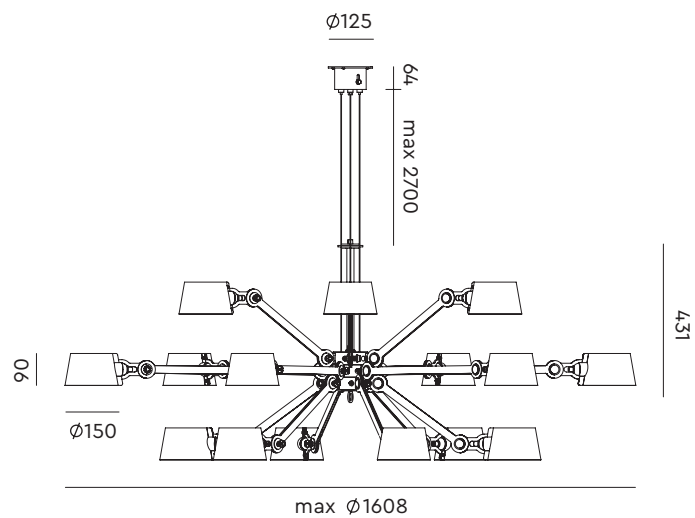
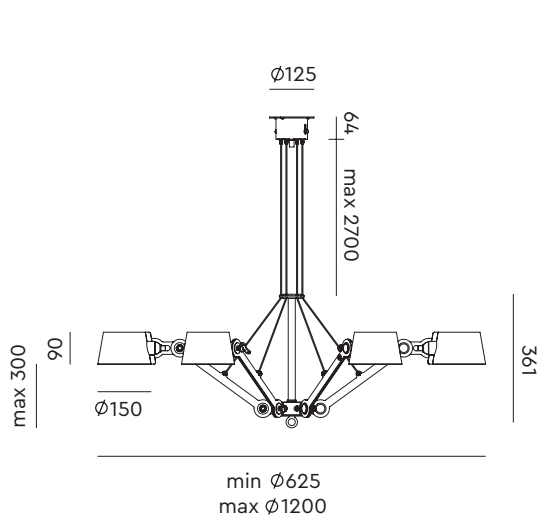


More specifications on pages 107 - 128

6 arm



18 arm





PACK PENDANT

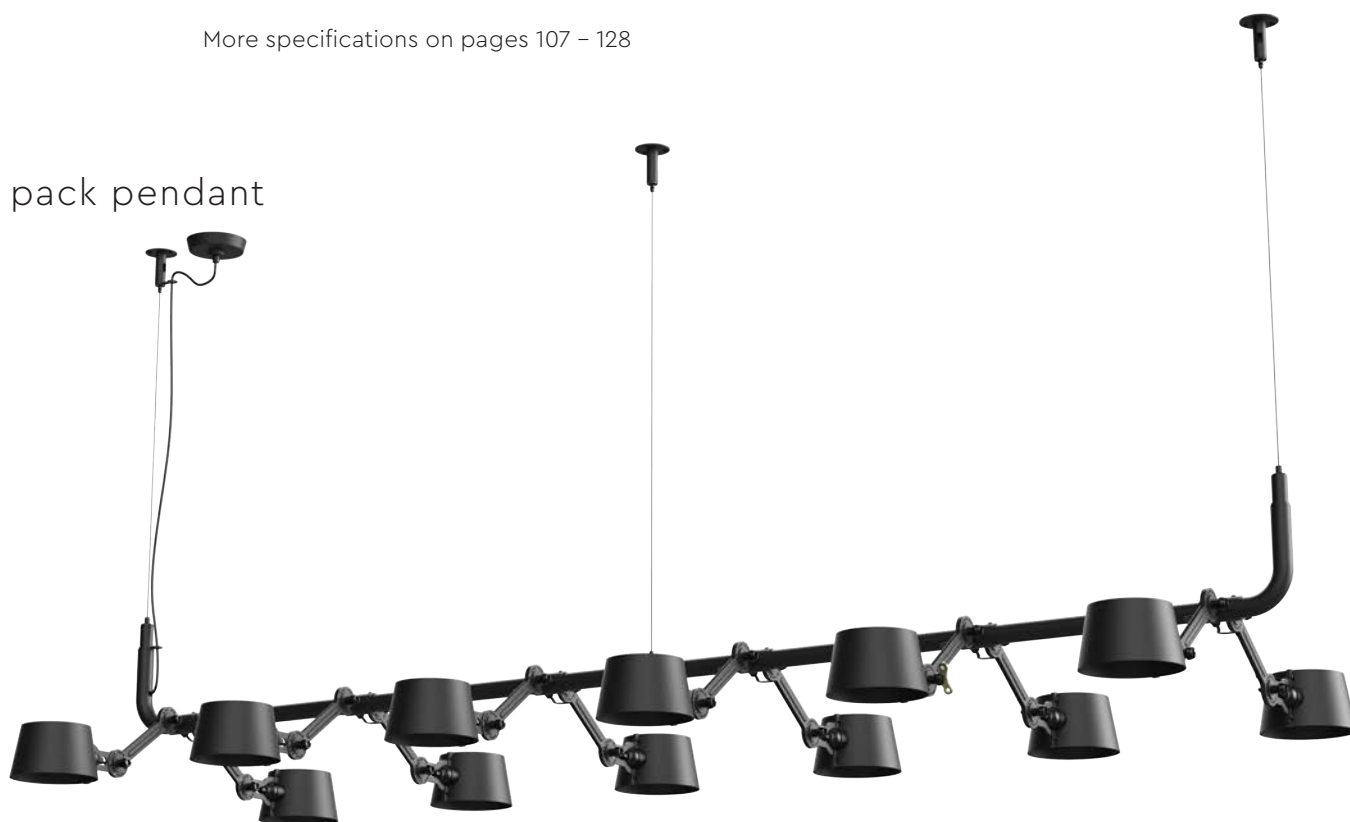
Design by Anton de Groof 2013

Material Steel & aluminum
 Description Body in powder coated steel, shades in powder coated aluminum.
 The shades and arms are adjustable with the wingnut.
 Volt 220-240 V
 Max Watt 60 Watt
 Socket E27

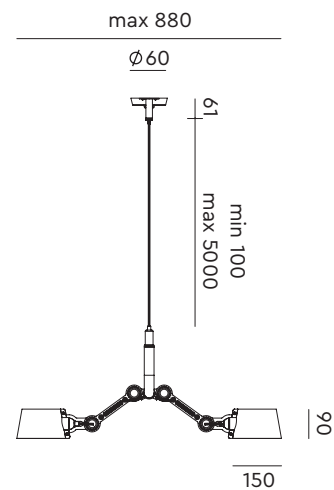
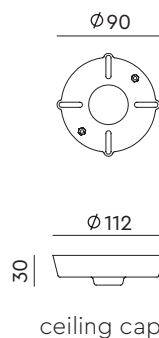
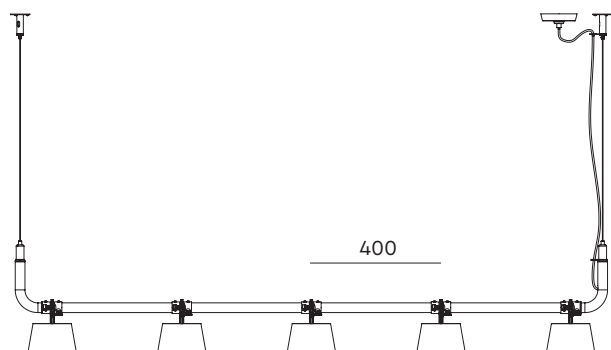
Colors 

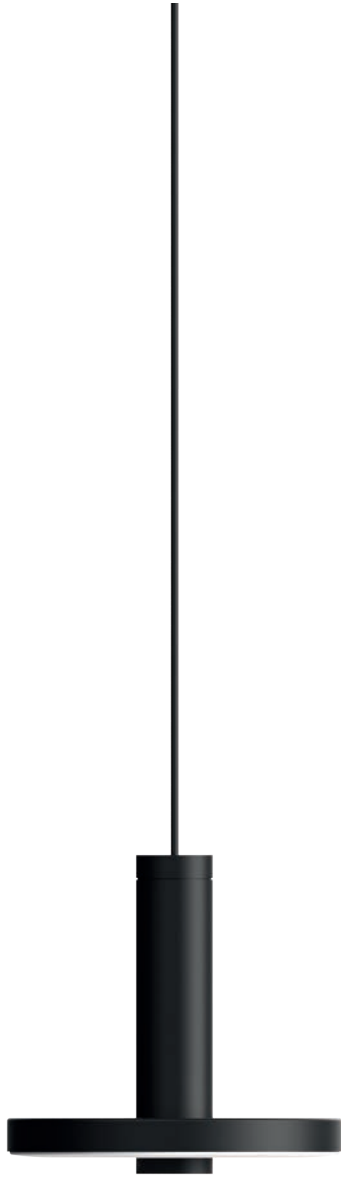
More specifications on pages 107 - 128

pack pendant



12 pack = 2198
 10 pack = 1798
 8 pack = 1398
 6 pack = 998





BEADS

The Beads collection is a series of lamps designed to fit in every environment. The modest look of the armature starts shining when it comes to functionality. With its 360-degree dimmable and pivotable LED ring, the Beads is a solution for any situation.

On top of that the Beads is available as a pendant, a ceiling-, wall-, floor- or table lamp. With the Beads Tonone illustrates a next step in innovating lighting concepts, but also sticks to the basic design signature of this brand.







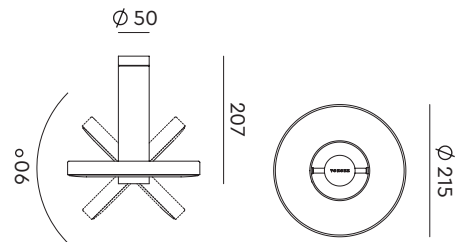
PENDANT

Design by Anton de Groof 2018

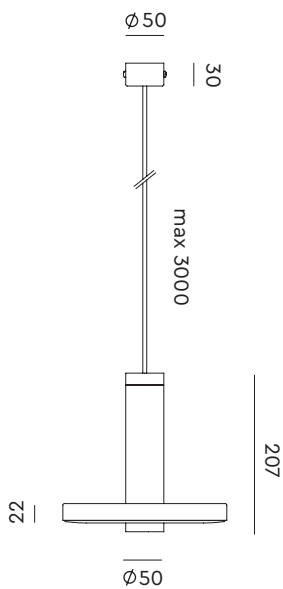
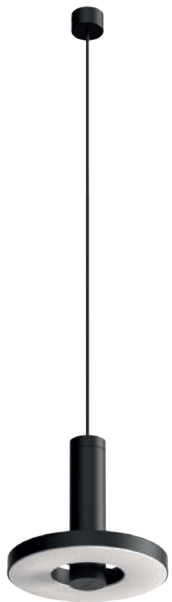
Material	Aluminum
Description	The lightweight Beads is made out of aluminum materials.
Volt	220-240 V
Watt	16 Watt
Light source	Phase cut dimmable led
LED color	Dim to warm (2100K to 2800K)
CRI	90

Color 

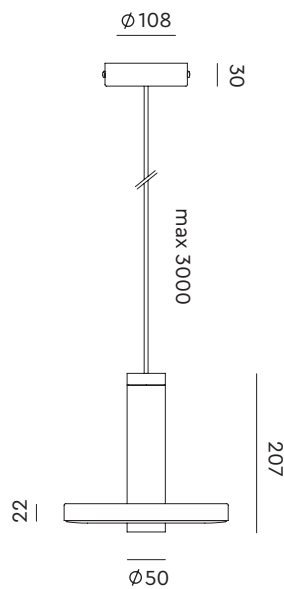
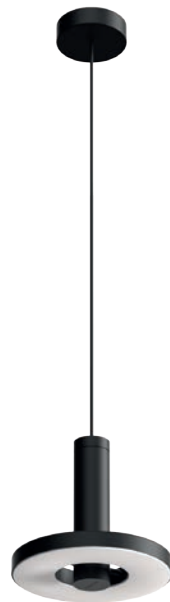
More specifications on pages 107 - 128



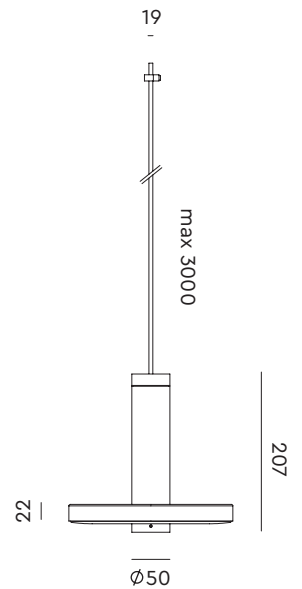
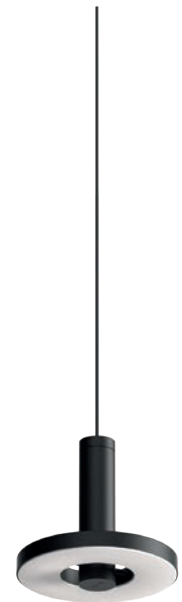
pendant box 50



pendant box 108



pendant





TONE

DIRECT

Design by Anton de Groof 2018

Material	Aluminum
Description	The lightweight Beads is made out of aluminum materials.
Volt	220-240 V
Watt	16 Watt
Light source	Phase cut dimmable led
LED color	Dim to warm (2100K to 2800K)
CRI	90

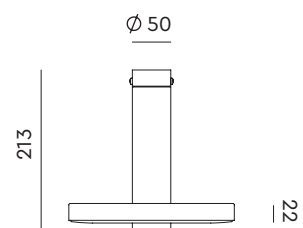
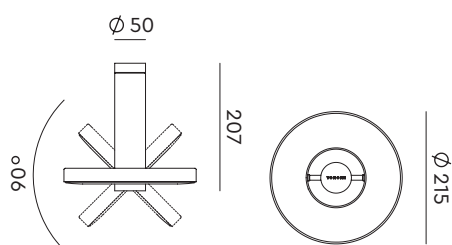
Color 

More specifications on pages 107 - 128

direct outside



direct inside

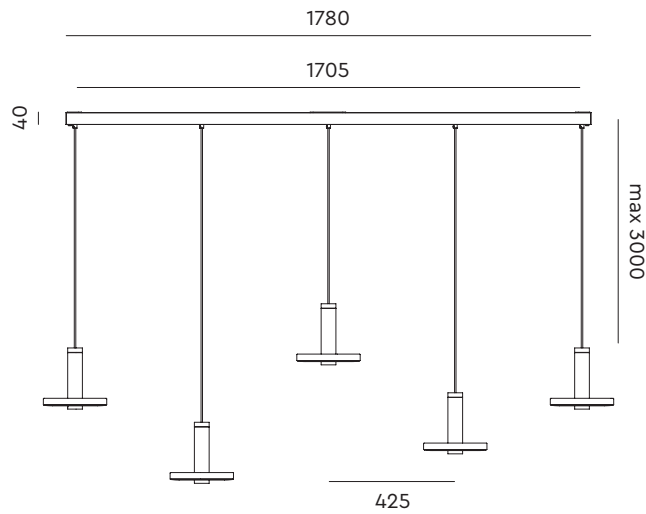


Beads pendant





five in line



BEADS IN LINE

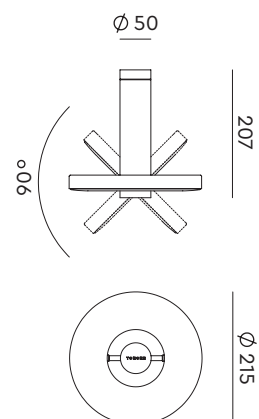
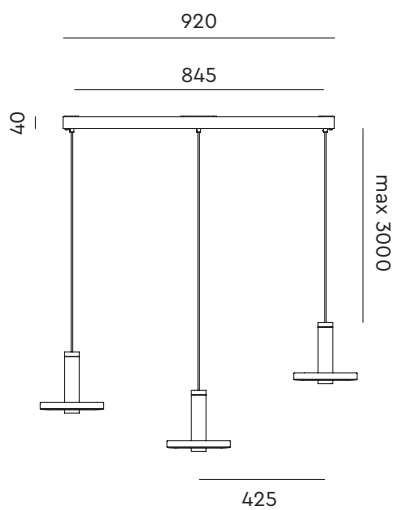
Design by Anton de Groof 2018

Material	Aluminum
Description	The lightweight Beads is made out of aluminum materials.
Volt	220-240 V
Watt	5x 16 Watt or 3x 16 Watt
Light source	Phase cut dimmable led
LED color	Dim to warm (2100K to 2800K)
CRI	90

Color 

More specifications on pages 107 - 128

three in line





BEADS IN CIRCLE

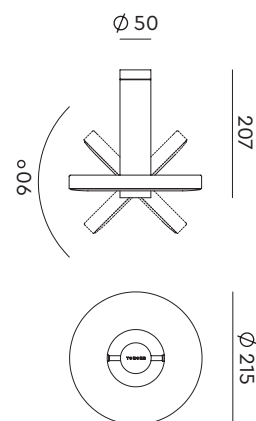
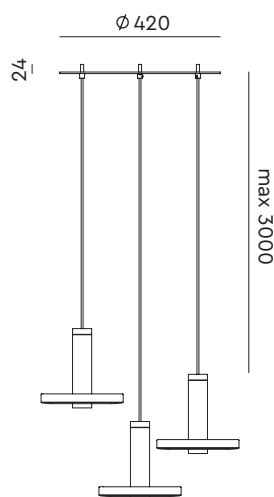
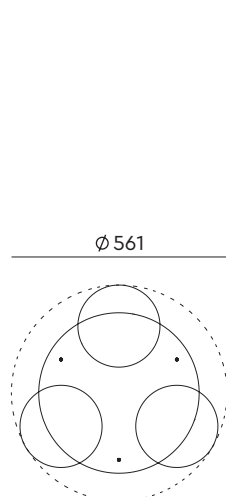
Design by Anton de Groof 2018

Material	Aluminum
Description	The lightweight Beads is made out of aluminum materials.
Volt	220-240 V
Watt	3x 16 Watt
Light source	Phase cut dimmable led
LED color	Dim to warm (2100K to 2800K)
CRI	90

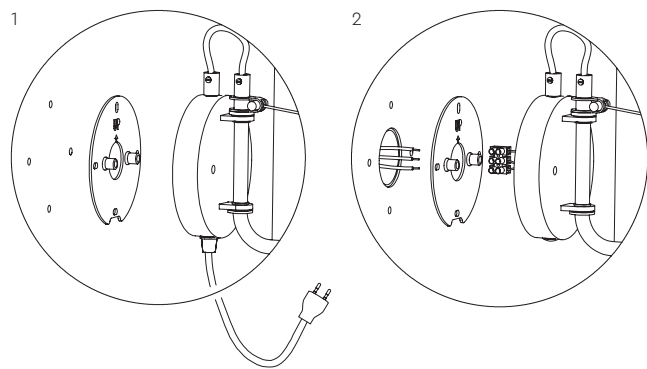
Color 

More specifications on pages 107 - 128

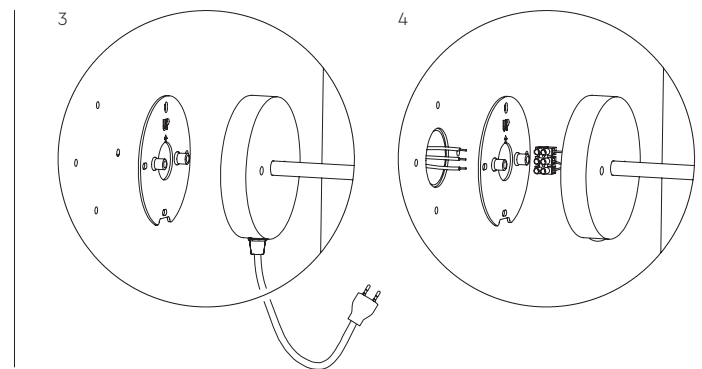
three in circle



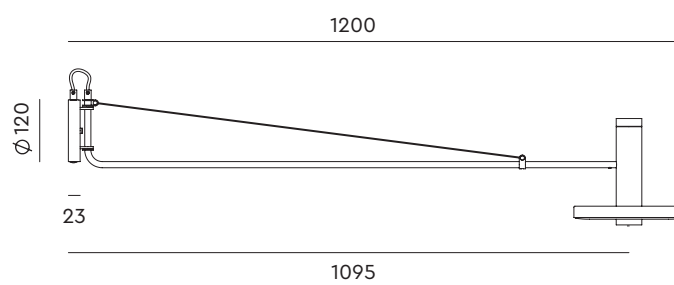
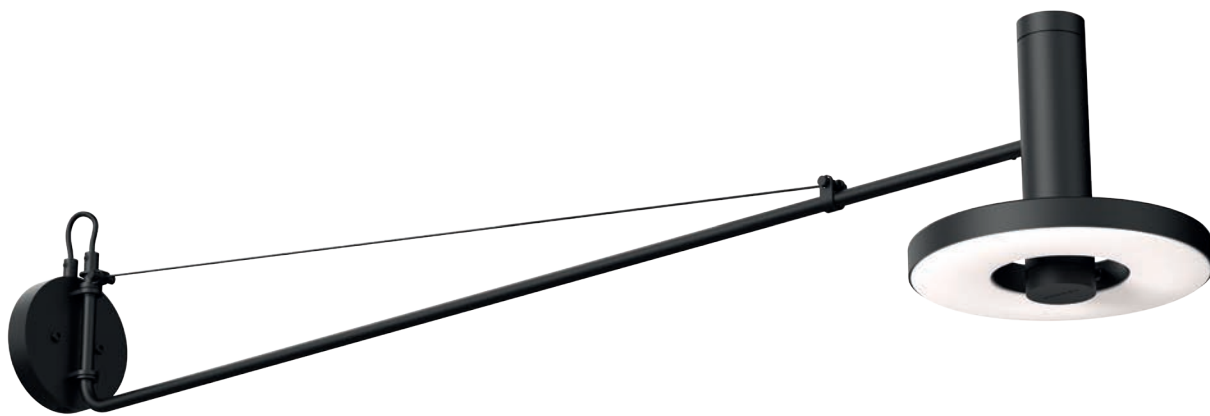
Installation wall 120



Installation wall 35



wall 120



WALL

Design by Anton de Groof 2018

Material	Aluminum & steel
Description	The lightweight Beads is made out of aluminum materials. Wall mounts in powder coated steel.
Volt	220-240 V 16 Watt
Light source	Dimmable led
LED color	Dim to warm (2100K to 2800K)
CRI	90
Installation- options	1. & 3. with powercord including europlug, dimmer on fixture 2. & 4. with terminal block to install directly on a junction box, phase cut dimmable

Color

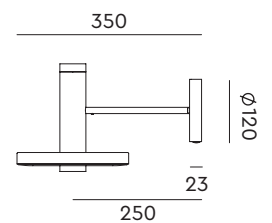
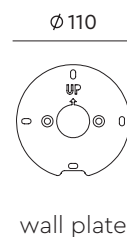
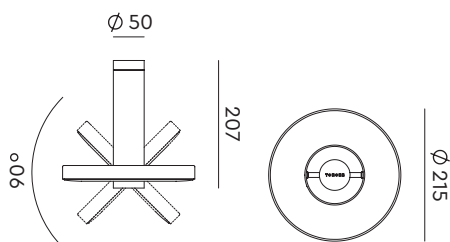


More specifications on pages 107 - 128

wall 35 down




wall 35 up





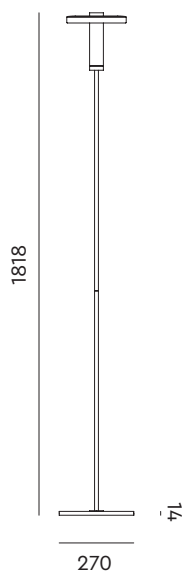
FLOOR & TABLE

Design by Anton de Groof 2018

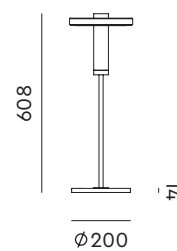
Material	Aluminum & steel
Description	The lightweight Beads is made out of aluminum materials. Base and tube in coated steel. The Floor & Table are offered with upright or downlight.
Tech specs	220-240 V
Watt	16 Watt
Light source	Dimmable LED, Beads Floor includes a LED dimmer on cord Beads Table is dimmable on fixture
LED color	Dim to warm (2100K to 2800K)
CRI	90
Color	

More specifications on pages 107 - 128

floor



table





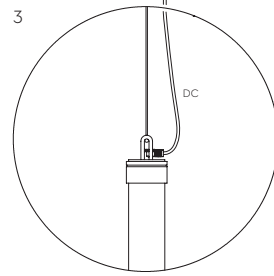
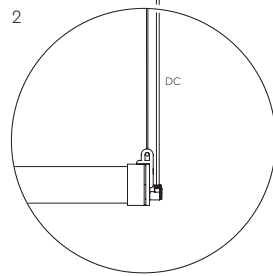
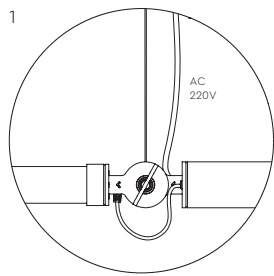
MR. TUBES LED

Mr. Tubes is a sturdy lamp design that combines pure functionality with graphical aesthetics. The black- or white coated steel construction holds the led tubes and gives the lamp an industrial look; a straightforward design suitable for various locations. The lamp is dimmable and the adjustable steel cables make it possible to hang the lamp at any height.

Mr. Tubes is available as a pendant single, double, floor, wall and chandelier. Or build your own with the Mr. Tubes Led Connect.



Installation



Optional for use



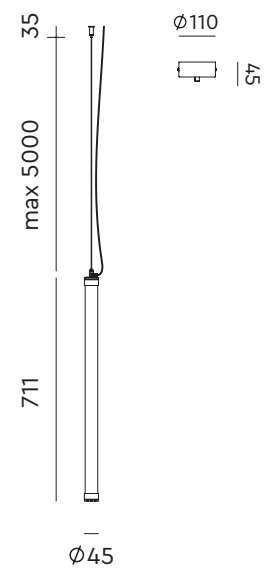
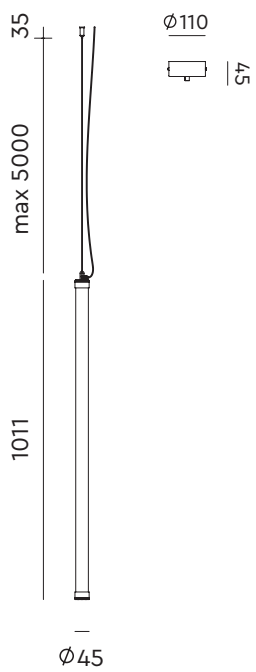
vertical 1000

driver separate



vertical 700

driver separate



PENDANT

Design by Anton de Groof 2019

Material	Aluminum & steel
Description	Body in powder coated steel & aluminum, carried by black steel cables. The Mr. Tubes is phase cut dimmable.
Volt	220-240 V 1000 mm tube 11 Watt 700 mm 8 Watt
Installation	1. driver on fixture 2. & 3. driver separate
Light color	2700K or 4000K
CRI	>90

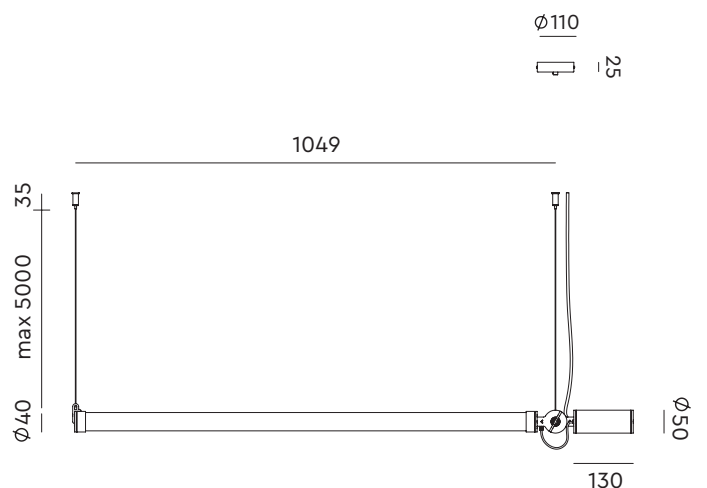
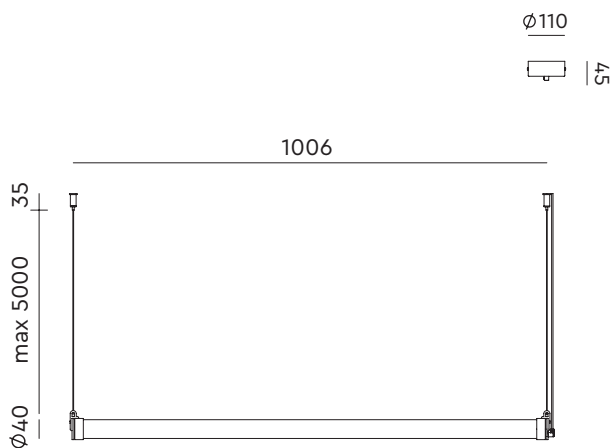
Colors  

More specifications on pages 107 - 128

single driver separate



single driver on fixture





DOUBLE

Design by Anton de Groof 2019

Material Aluminum & steel
Description Body in powder coated steel & aluminum, carried by 2 black steel cables.
The Mr. Tubes is phase cut dimmable.
Volt 220-240 V
Watt 23 Watt
Light color 2700K or 4000K
CRI >90

Colors

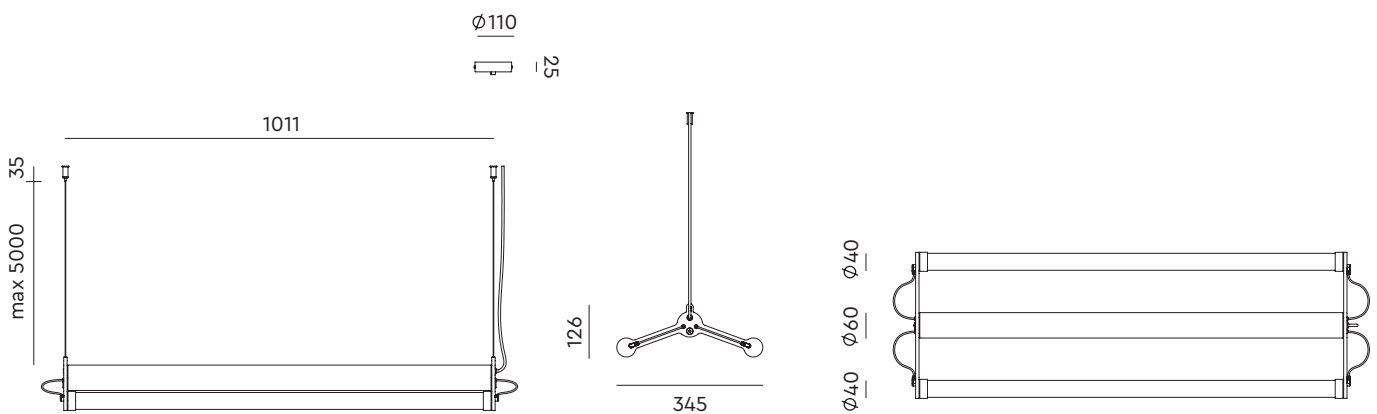
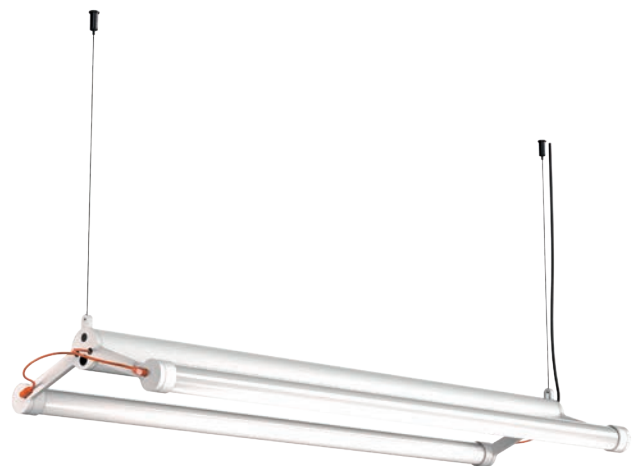


More specifications on pages 107 - 128

double black



double white





WALL

Design by Anton de Groof 2019

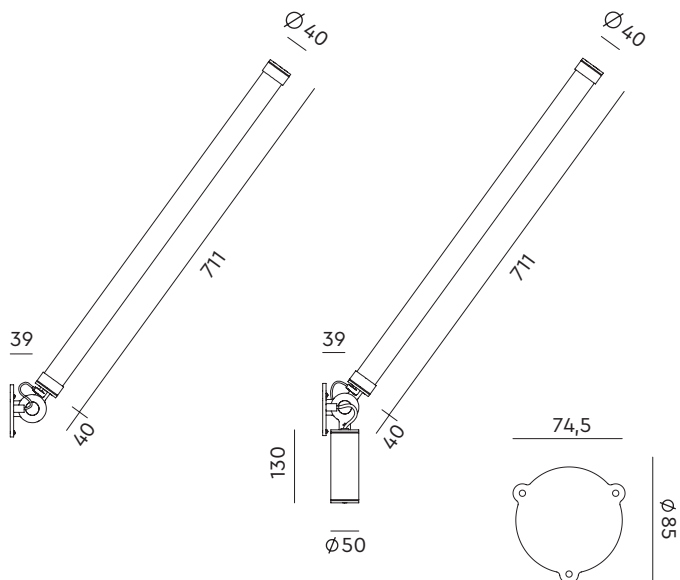
Material	Aluminum & steel
Description	Body in powder coated steel & aluminum. The Mr. Tubes is phase cut dimmable.
Volt	220-240 V 8 Watt
Light color	2700K or 4000K CRI: >90
Installation	1. with 3 meter powercord including europlug 2. with terminal block to install directly on a junction box 3. with optional wall ring

Colors

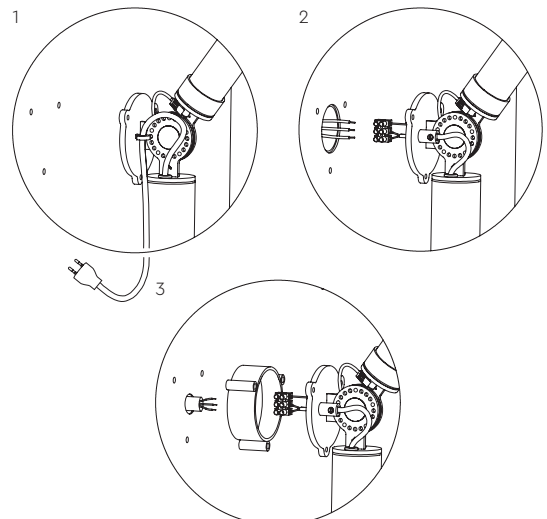


More specifications on pages 107 - 128

wall driver separate



wall driver on fixture



Drawings of the installation options of the Mr. Tubes LED driver separate: available on request or check tonone.com.



CHANDELIER

Design by Anton de Groof 2019

Material Aluminum & steel
Description Body in powder coated steel & aluminum, carried by a black steel cable.
The Mr. Tubes is phase cut dimmable.
Volt 220-240 V
Watt 40 Watt
Light color 2700K or 4000K
CRI >90

Colors

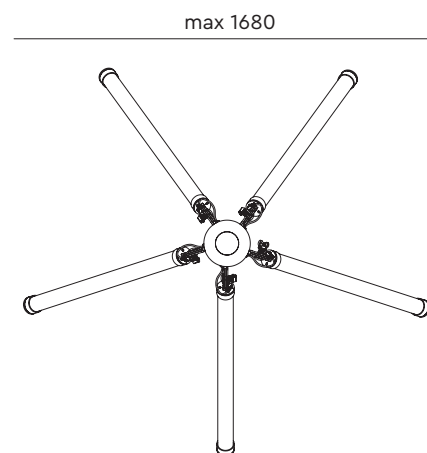
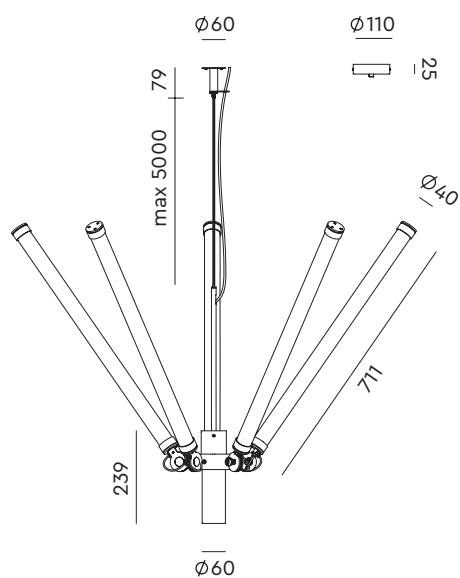


More specifications on pages 107 - 128

chandelier black



chandelier white





CONNECT

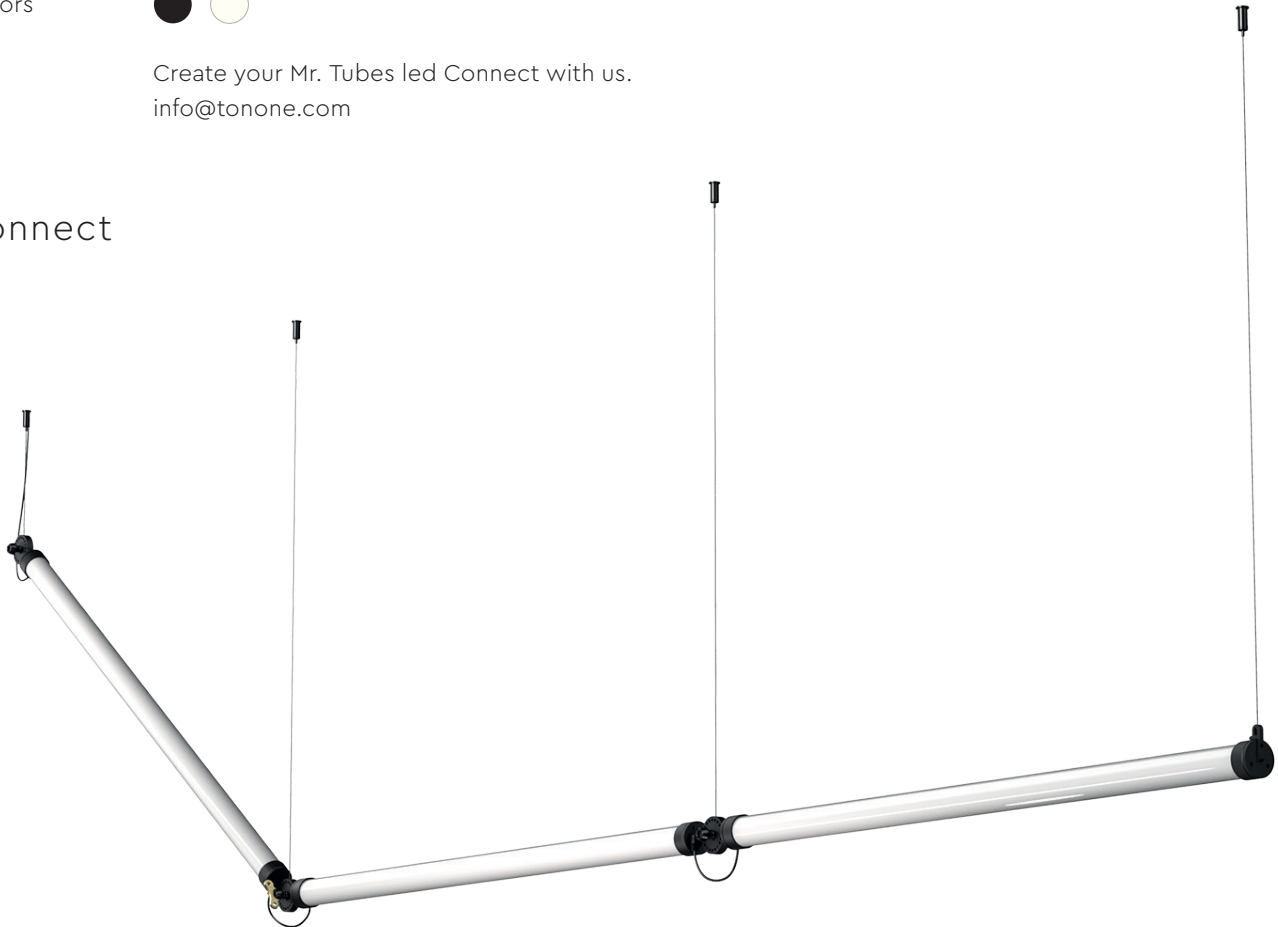
Design by Anton de Groof 2019

Material Aluminum & steel
Description Body in powder coated steel & aluminum, carried by black steel cables.
The Mr. Tubes is phase cut dimmable.
Volt 220-240 V | 1000 mm tube 11 Watt | 700 mm tube 8 Watt
Light color 2700K or 4000K
CRI >90

Colors  

Create your Mr. Tubes led Connect with us.
info@tonone.com

connect





ATLAS

The combination of an aluminium or brass hinge mechanism with a transparent hand-blown glass shade creates a constructive lamp with a poetic character. By unfolding the hinge mechanism to an upright position, the glass shade is hold up while it rests on the construction.

Atlas comes in two sizes; a big shade of 450 mm wide and a smaller shade of 350 mm wide.







ATLAS

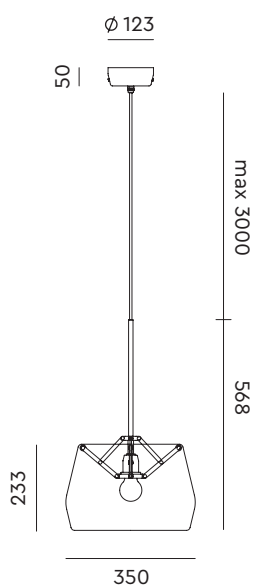
Design by Anton de Groof 2015

Material Brass & hand blown glass
Description A hand blown glass shade held by an ingenious brass hinge mechanism.
Volt 220-240 V
Max Watt 60 Watt
Socket E27
Glass colors Transparent & neutral grey

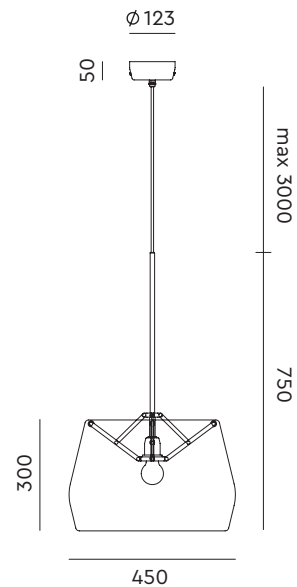
Color  

More specifications on pages 107 - 128

D350



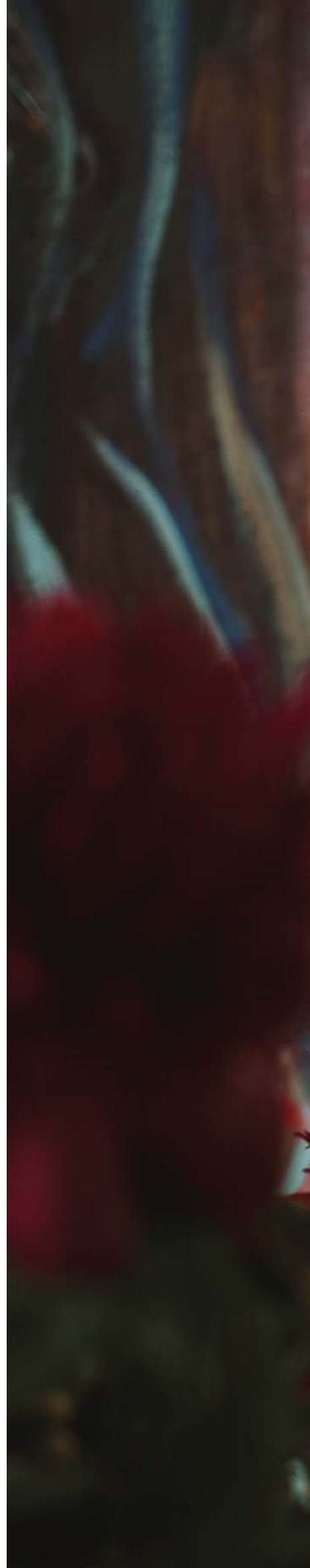
D450

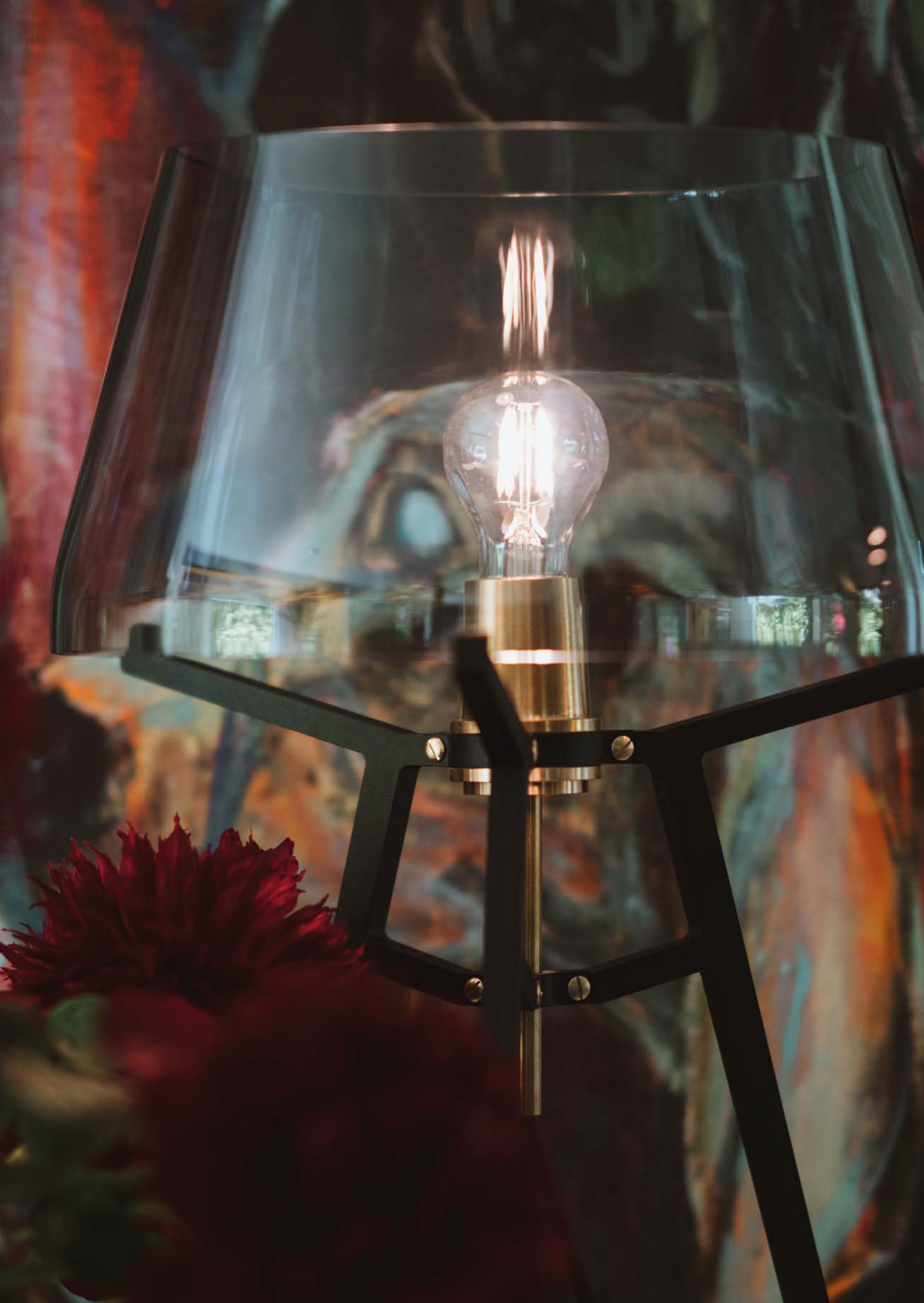




ELLA

A hand-blown glass shade is supported by a sturdy steel tripod stand, underlining its strong, graphic yet elegant and light character. Both the transparent and the neutral grey shades provide a soft glow, and work harmoniously with the black or white stand colors and brass details.







ELLA

Design by Anton de Groof 2016

Material Steel & hand blown glass
Description The tripod stand is made of powder coated steel and holds a hand blown-glass shade.
Volt 220-240 V
Max Watt 60 Watt
Socket E27
Glass colors Transparent or neutral grey

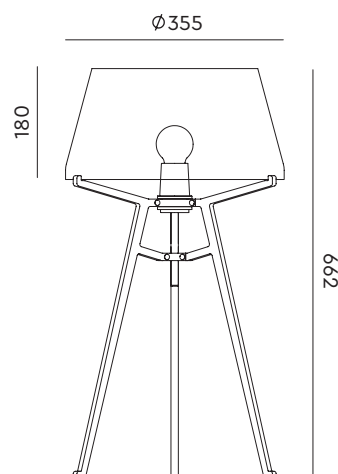
Body colors  

More specifications on pages 107 - 128

ella black



ella white





TONONE





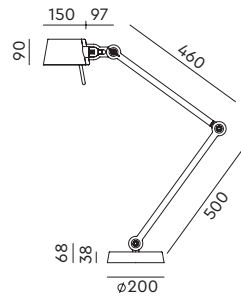
BOLT Desk 2 arm foot
Anton de Groof, 2013

Material: steel & aluminum
Weight: 7,8 kg
IP 20
Volt: 220-240 V | Max Watt: 60 Watt
Socket: E27
Cord length: 2900 mm

Wingnut solid brass included



p. 40



- smokey black 1001
- flux green 1003
- pure white 1005
- midnight grey 1252
- ash grey 1008
- striking orange 1006
- lightning white 1004
- thunder blue 1007
- daybreak rose 1457
- sunny yellow 1415
- ice blue 1600



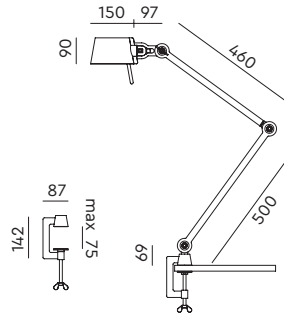
BOLT Desk 2 arm clamp
Anton de Groof, 2013

Material: steel & aluminum
Weight: 2,5 kg
IP 20
Volt: 220-240 V | Max Watt: 60 Watt
Socket: E27
Cord length: 2900 mm

Wingnut solid brass included



p. 40



- smokey black 1009
- flux green 1011
- pure white 1013
- midnight grey 1253
- ash grey 1016
- striking orange 1014
- lightning white 1012
- thunder blue 1015
- daybreak rose 1458
- sunny yellow 1416
- ice blue 1601



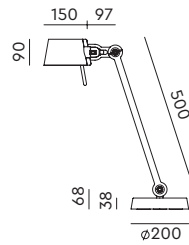
BOLT Desk 1 arm foot
Anton de Groof, 2013

Material: steel & aluminum
Weight: 7,2 kg
IP 20
Volt: 220-240 V | Max Watt: 60 Watt
Socket: E27
Cord length: 2400 mm

Wingnut solid brass included



p. 41



- smokey black 1017
- flux green 1019
- pure white 1021
- midnight grey 1254
- ash grey 1024
- striking orange 1022
- lightning white 1020
- thunder blue 1023
- daybreak rose 1460
- sunny yellow 1418
- ice blue 1602



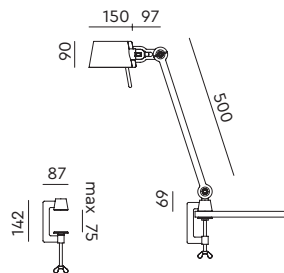
BOLT Desk 1 arm clamp
Anton de Groof, 2013

Material: steel & aluminum
Weight: 1,9 kg
IP 20
Volt: 220-240 V | Max Watt: 60 Watt
Socket: E27
Cord length: 2400 mm

Wingnut solid brass included



p. 41



- smokey black 1025
- flux green 1027
- pure white 1029
- midnight grey 1255
- ash grey 1032
- striking orange 1030
- lightning white 1028
- thunder blue 1031
- daybreak rose 1461
- sunny yellow 1419
- ice blue 1603



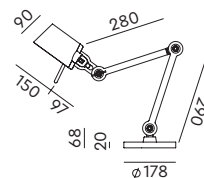
BOLT Desk small 2 arm foot
Anton de Groof, 2013 / 2018

Material: steel & aluminum
Weight: 5,3 kg
IP 20
Volt: 220-240 V | Max Watt: 60 Watt
Socket: E27
Cord length: 2300 mm

Wingnut solid brass included



p. 45



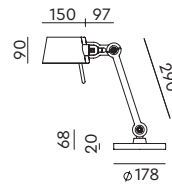
- smokey black 1352
- flux green 1353
- pure white 1355
- midnight grey 1359
- ash grey 1358
- striking orange 1356
- lightning white 1354
- thunder blue 1357
- daybreak rose 1459
- sunny yellow 1417
- ice blue 1606



BOLT Desk small 1 arm foot
Anton de Groof, 2013 /2018

Material: steel & aluminum
Weight: 4,8 kg
IP 20
Volt: 220-240 V | Max Watt: 60 Watt
Socket: E27
Cord length: 2500 mm

Wingnut solid brass included



- smokey black 1033
- flux green 1035
- pure white 1037
- midnight grey 1256
- ash grey 1040
- striking orange 1038
- lightning white 1036
- thunder blue 1039
- daybreak rose 1462
- sunny yellow 1420
- ice blue 1604

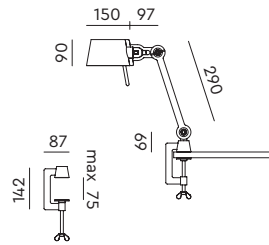
p. 45



BOLT Desk small 1 arm clamp
Anton de Groof, 2013 / 2018

Material: steel & aluminum
Weight: 1,7 kg
IP 20
Volt: 220-240 V | Max Watt: 60 Watt
Socket: E27
Cord length: 2500 mm

Wingnut solid brass included



- smokey black 1041
- flux green 1042
- pure white 1044
- midnight grey 1257
- ash grey 1048
- striking orange 1045
- lightning white 1043
- thunder blue 1046
- daybreak rose 1463
- sunny yellow 1421
- ice blue 1605

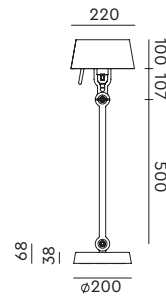
p. 45



BOLT Table standard
Anton de Groof, 2013

Material: steel & aluminum
Weight: 7,3 kg
IP 20
Volt: 220-240 V | Max Watt: 60 Watt
Socket: E27
Cord length: 2300 mm

Wingnut solid brass included



- smokey black 1049
- flux green 1051
- pure white 1053
- midnight grey 1258
- ash grey 1056
- striking orange 1054
- lightning white 1052
- thunder blue 1055
- daybreak rose 1464
- sunny yellow 1422
- ice blue 1607

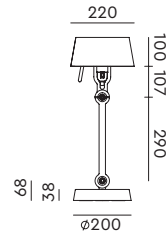
p. 47



BOLT Table small
Anton de Groof, 2013

Material: steel & aluminum
Weight: 7,2 kg
IP 20
Volt: 220-240 V | Max Watt: 60 Watt
Socket: E27
Cord length: 2500 mm

Wingnut solid brass included



- smokey black 1057
- flux green 1059
- pure white 1061
- midnight grey 1259
- ash grey 1064
- striking orange 1062
- lightning white 1060
- thunder blue 1063
- daybreak rose 1465
- sunny yellow 1423
- ice blue 1608

p. 47



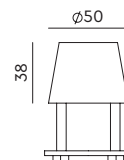
BOLT Mount for table / desk

Material: steel & aluminum

Bolt Desk and Bolt Table available with mount instead of a foot or clamp.


Please contact Tonone for more information.

info@tonone.com



- smokey black 1547
- flux green 1548
- pure white 1549
- midnight grey 1550
- ash grey 1551
- striking orange 1552
- lightning white 1553
- thunder blue 1554
- daybreak rose 1555
- sunny yellow 1556
- ice blue 1652



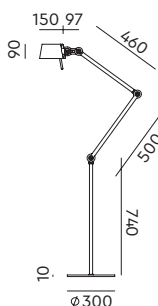


p. 49


BOLT Floor 2 arm sidefit
Anton de Groof, 2013

Material: steel & aluminum
Weight: 8,8 kg
Volt: 220-240 V | Max Watt: 60 Watt
Socket: E27
Cord length: 3000 mm

Wingnut solid brass included



● smokey black	1065
● flux green	1067
○ pure white	1069
● midnight grey	1260
● ash grey	1072
● striking orange	1070
● lightning white	1068
● thunder blue	1071
● daybreak rose	1466
● sunny yellow	1424
● ice blue	1609

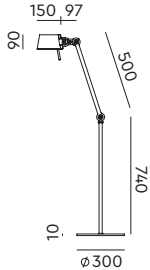


p. 49


BOLT Floor 1 arm sidefit
Anton de Groof, 2013

Material: steel & aluminum
Weight: 8,4 kg
IP 20
Volt: 220-240 V | Max Watt: 60 Watt
Socket: E27
Cord length: 2400 mm

Wingnut solid brass included



● smokey black	1073
● flux green	1075
○ pure white	1077
● midnight grey	1261
● ash grey	1080
● striking orange	1078
● lightning white	1076
● thunder blue	1079
● daybreak rose	1467
● sunny yellow	1425
● ice blue	1610

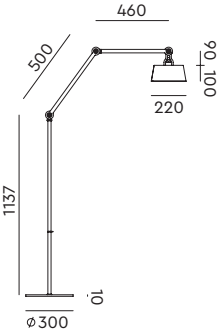


p. 51


BOLT Floor long 2 arm upperfit
Anton de Groof, 2013

Material: steel & aluminum
Weight: 10,1 kg
Volt: 220-240 V | Max Watt: 60 Watt
Socket: E27
Cord length: 2900 mm
Includes a LED floordimmer on cord

Wingnut solid brass included



● smokey black	1360
● flux green	1361
○ pure white	1363
● midnight grey	1367
● ash grey	1366
● striking orange	1364
● lightning white	1362
● thunder blue	1365
● daybreak rose	1469
● sunny yellow	1427
● ice blue	1612

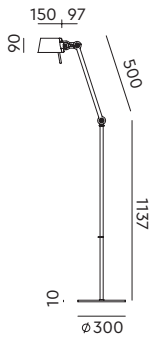


p. 51


BOLT Floor long 1 arm sidefit
Anton de Groof, 2013

Material: steel & aluminum
Weight: 9,3 kg
IP 20
Volt: 220-240 V | Max Watt: 60 Watt
Socket: E27
Cord length: 2200 mm

Wingnut solid brass included



● smokey black	1279
● flux green	1280
○ pure white	1282
● midnight grey	1286
● ash grey	1285
● striking orange	1283
● lightning white	1281
● thunder blue	1284
● daybreak rose	1468
● sunny yellow	1426
● ice blue	1611

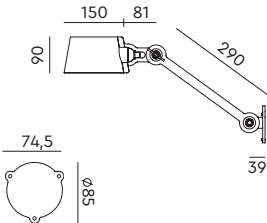


p. 52

BOLT Wall sidefit with cord
Anton de Groof, 2013

Material: steel & aluminum
Weight: 1,0 kg
Volt: 220-240 V | Max Watt: 60 Watt
Socket: E27
Cord length: 2600 mm

Wingnut solid brass included

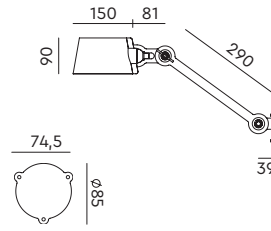


● smokey black	1081
● flux green	1083
○ pure white	1085
● midnight grey	1262
● ash grey	1088
● striking orange	1086
● lightning white	1084
● thunder blue	1087
● daybreak rose	1470
● sunny yellow	1428
● ice blue	1613

BOLT Wall sidefit install
Anton de Groof, 2013

Material: steel & aluminum
Weight: 1,0 kg
IP 20
Volt: 220-240 V | Max Watt: 60 Watt
Socket: E27
Optional: wallring

Wingnut solid brass included



- smokey black 1089
- flux green 1091
- pure white 1093
- midnight grey 1265
- ash grey 1096
- striking orange 1094
- lightning white 1092
- thunder blue 1095
- daybreak rose 1473
- sunny yellow 1431
- ice blue 1614

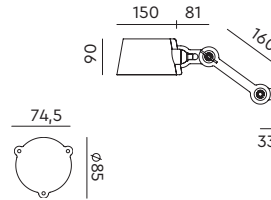
p. 52



BOLT Wall sidefit small with cord
Anton de Groof, 2013

Material: steel & aluminum
Weight: 1,0 kg
Volt: 220-240 V | Max Watt: 60 Watt
Socket: E27
Cord length: 2750 mm

Wingnut solid brass included



- smokey black 1220
- flux green 1222
- pure white 1224
- midnight grey 1263
- ash grey 1227
- striking orange 1225
- lightning white 1223
- thunder blue 1226
- daybreak rose 1471
- sunny yellow 1429
- ice blue 1617

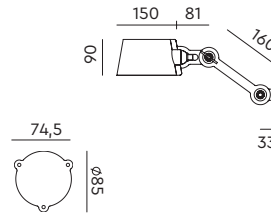
p. 52



BOLT Wall sidefit small install
Anton de Groof, 2013

Material: steel & aluminum
Weight: 1,0 kg
IP 20
Volt: 220-240 V | Max Watt: 60 Watt
Socket: E27
Optional: wallring

Wingnut solid brass included



- smokey black 1236
- flux green 1238
- pure white 1240
- midnight grey 1266
- ash grey 1243
- striking orange 1241
- lightning white 1239
- thunder blue 1242
- daybreak rose 1474
- sunny yellow 1432
- ice blue 1618

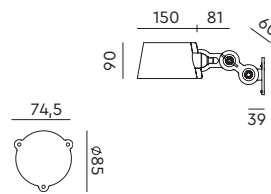
p. 52



BOLT Wall sidefit mini with cord
Anton de Groof, 2013

Material: steel & aluminum
Weight: 0,9 kg
Volt: 220-240 V | Max Watt: 60 Watt
Socket: E27
Cord length: 2850 mm

Wingnut solid brass included



- smokey black 1228
- flux green 1230
- pure white 1232
- midnight grey 1264
- ash grey 1235
- striking orange 1233
- lightning white 1231
- thunder blue 1234
- daybreak rose 1472
- sunny yellow 1430
- ice blue 1619

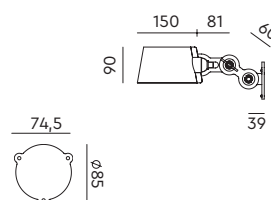
p. 53



BOLT Wall sidefit mini install
Anton de Groof, 2013

Material: steel & aluminum
Weight: 0,9 kg
IP 20
Volt: 220-240 V | Max Watt: 60 Watt
Socket: E27
Optional: wallring

Wingnut solid brass included



- smokey black 1244
- flux green 1246
- pure white 1248
- midnight grey 1267
- ash grey 1251
- striking orange 1249
- lightning white 1247
- thunder blue 1250
- daybreak rose 1475
- sunny yellow 1433
- ice blue 1620

p. 53



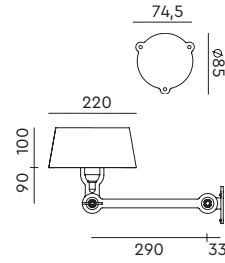
BOLT Wall underfit with cord
Anton de Groof, 2013

Material: steel & aluminum
Weight: 1,2 kg
IP 20
Volt: 220-240 V | Max Watt: 60 Watt
Socket: E27
Cord length: 2600 mm

Wingnut solid brass included



p. 53



● smokey black	1105
● flux green	1107
○ pure white	1109
● midnight grey	1268
● ash grey	1112
● striking orange	1110
● lightning white	1108
● thunder blue	1111
● daybreak rose	1476
● sunny yellow	1434
● ice blue	1615

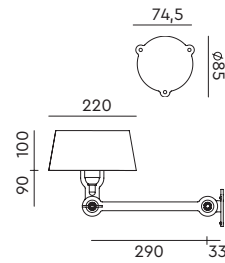
BOLT Wall underfit install
Anton de Groof, 2013

Material: steel & aluminum
Weight: 1,2 kg
IP 20
Volt: 220-240 V | Max Watt: 60 Watt
Socket: E27
Optional: wallring

Wingnut solid brass included



p. 53



● smokey black	1113
● flux green	1114
○ pure white	1116
● midnight grey	1269
● ash grey	1120
● striking orange	1117
● lightning white	1115
● thunder blue	1118
● daybreak rose	1477
● sunny yellow	1435
● ice blue	1616

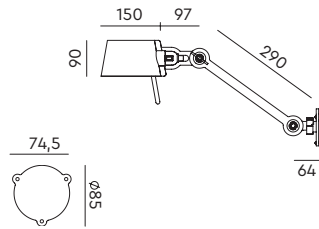
BOLT Bed sidefit with cord
Anton de Groof, 2013

Material: steel & aluminum
Weight: 1,2 kg
IP 20
Volt: 220-240 V | Max Watt: 60 Watt
Socket: E27
Cord length: 2500 mm

Wingnut solid brass included



p. 55



● smokey black	1129
● flux green	1131
○ pure white	1133
● midnight grey	1270
● ash grey	1136
● striking orange	1134
● lightning white	1132
● thunder blue	1135
● daybreak rose	1478
● sunny yellow	1436
● ice blue	1623

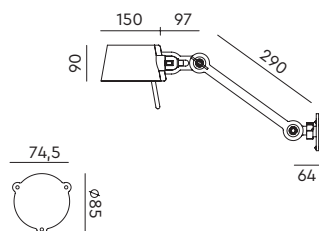
BOLT Bed sidefit with cord MIRROR
Anton de Groof, 2013

Material: steel & aluminum
Weight: 1,2 kg
IP 20
Volt: 220-240 V | Max Watt: 60 Watt
Socket: E27
Cord length: 2500 mm

Wingnut solid brass included



p. 55



● smokey black	1529
● flux green	1530
○ pure white	1531
● midnight grey	1532
● ash grey	1533
● striking orange	1534
● lightning white	1535
● thunder blue	1536
● daybreak rose	1537
● sunny yellow	1538
● ice blue	1624

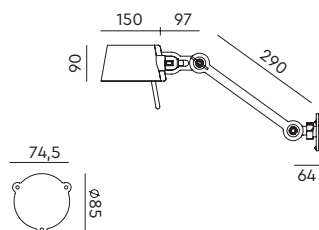
BOLT Bed sidefit install
Anton de Groof, 2013

Material: steel & aluminum
Weight: 1,2 kg
IP 20
Volt: 220-240 V | Max Watt: 60 Watt
Socket: E27
Optional: wallring

Wingnut solid brass included



p. 55



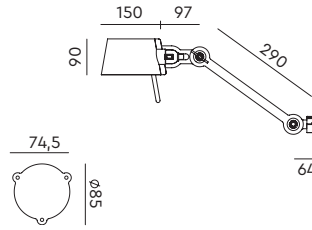
● smokey black	1137
● flux green	1139
○ pure white	1141
● midnight grey	1271
● ash grey	1144
● striking orange	1142
● lightning white	1140
● thunder blue	1143
● daybreak rose	1479
● sunny yellow	1437
● ice blue	1626

BOLT Bed sidefit install MIRROR
Anton de Groof, 2013



Material: steel & aluminum
Weight: 1,2 kg
IP 20
Volt: 220-240 V | Max Watt: 60 Watt
Socket: E27
Optional: wallring

Wingnut solid brass included



- smokey black 1368
- flux green 1369
- pure white 1371
- midnight grey 1375
- ash grey 1374
- striking orange 1372
- lightning white 1370
- thunder blue 1373
- daybreak rose 1480
- sunny yellow 1438
- ice blue 1627

p. 55

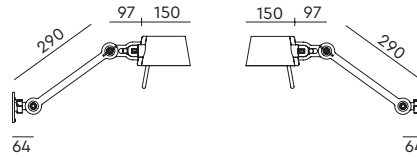


BOLT Bed sidefit set
Anton de Groof, 2013



Material: steel & aluminum
Weight: 2,4 kg
IP 20
Volt: 220-240 V | Max Watt: 60 Watt
Socket: E27
Cord length: max 2500 mm

Wingnut solid brass included



- smokey black 1560
- flux green 1561
- pure white 1562
- midnight grey 1563
- ash grey 1564
- striking orange 1565
- lightning white 1566
- thunder blue 1567
- daybreak rose 1568
- sunny yellow 1569
- ice blue 1625

p. 55

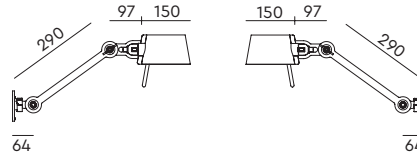


BOLT Bed sidefit set install
Anton de Groof, 2013



Material: steel & aluminum
Weight: 2,4 kg
IP 20
Volt: 220-240 V | Max Watt: 60 Watt
Socket: E27
Optional: wallring

Wingnut solid brass included



- smokey black 1570
- flux green 1571
- pure white 1572
- midnight grey 1573
- ash grey 1574
- striking orange 1575
- lightning white 1576
- thunder blue 1577
- daybreak rose 1578
- sunny yellow 1579
- ice blue 1628

p. 55

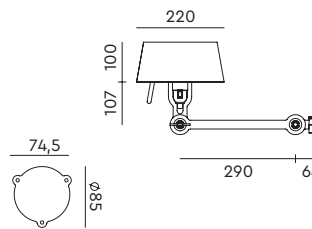


BOLT Bed underfit with cord
Anton de Groof, 2013



Material: steel & aluminum
Weight: 1,4 kg
IP 20
Volt: 220-240 V | Max Watt: 60 Watt
Socket: E27
Cord length: 2500 mm

Wingnut solid brass included



- smokey black 1145
- flux green 1147
- pure white 1149
- midnight grey 1272
- ash grey 1152
- striking orange 1150
- lightning white 1148
- thunder blue 1151
- daybreak rose 1481
- sunny yellow 1439
- ice blue 1629

p. 55

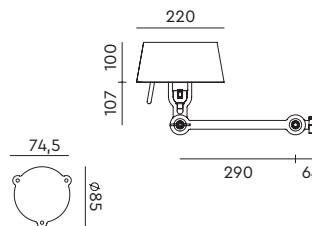


BOLT Bed underfit with cord MIRROR
Anton de Groof, 2013



Material: steel & aluminum
Weight: 1,4 kg
IP 20
Volt: 220-240 V | Max Watt: 60 Watt
Socket: E27
Cord length: 2500 mm

Wingnut solid brass included



- smokey black 1519
- flux green 1520
- pure white 1521
- midnight grey 1522
- ash grey 1523
- striking orange 1524
- lightning white 1525
- thunder blue 1526
- daybreak rose 1527
- sunny yellow 1528
- ice blue 1630

p. 55

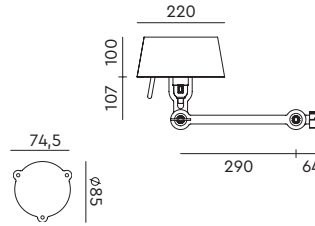


BOLT Bed underfit install
Anton de Groof, 2013



Material: steel & aluminum
Weight: 1,4 kg
IP 20
Volt: 220-240 V | Max Watt: 60 Watt
Socket: E27
Optional: wallring

Wingnut solid brass included



- smokey black 1153
- flux green 1155
- pure white 1157
- midnight grey 1273
- ash grey 1160
- striking orange 1158
- lightning white 1156
- thunder blue 1159
- daybreak rose 1482
- sunny yellow 1440
- ice blue 1632

p. 55

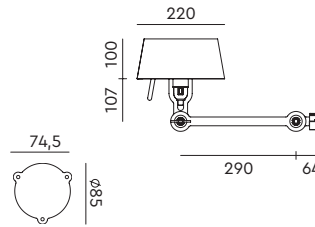


BOLT Bed underfit install MIRROR
Anton de Groof, 2013



Material: steel & aluminum
Weight: 1,4 kg
IP 20
Volt: 220-240 V | Max Watt: 60 Watt
Socket: E27
Optional: wallring

Wingnut solid brass included



- smokey black 1376
- flux green 1377
- pure white 1379
- midnight grey 1383
- ash grey 1382
- striking orange 1380
- lightning white 1378
- thunder blue 1381
- daybreak rose 1483
- sunny yellow 1441
- ice blue 1633

p. 55

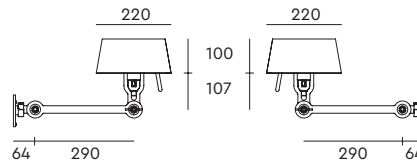


BOLT Bed underfit set
Anton de Groof, 2013



Material: steel & aluminum
Weight: 2,8 kg
IP 20
Volt: 220-240 V | Max Watt: 60 Watt
Socket: E27
Cord length: max 2500 mm

Wingnut solid brass included



- smokey black 1580
- flux green 1581
- pure white 1582
- midnight grey 1583
- ash grey 1584
- striking orange 1585
- lightning white 1586
- thunder blue 1587
- daybreak rose 1588
- sunny yellow 1589
- ice blue 1631

p. 55

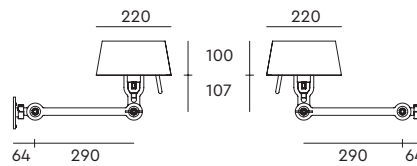


BOLT Bed underfit set install
Anton de Groof, 2013



Material: steel & aluminum
Weight: 2,8 kg
IP 20
Volt: 220-240 V | Max Watt: 60 Watt
Socket: E27
Optional: wallring

Wingnut solid brass included



- smokey black 1590
- flux green 1591
- pure white 1592
- midnight grey 1593
- ash grey 1594
- striking orange 1595
- lightning white 1596
- thunder blue 1597
- daybreak rose 1598
- sunny yellow 1599
- ice blue 1634

p. 55

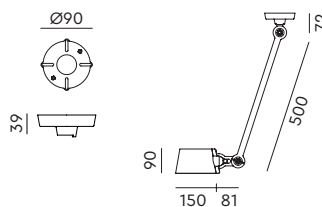


BOLT Ceiling 1 arm sidefit
Anton de Groof, 2016



Material: steel & aluminum
Weight: 1,5 kg
IP 20
Volt: 220-240 V | Max Watt: 60 Watt
Socket: E27

Wingnut solid brass included



- smokey black 1304
- flux green 1305
- pure white 1307
- midnight grey 1311
- ash grey 1310
- striking orange 1308
- lightning white 1306
- thunder blue 1309
- daybreak rose 1486
- sunny yellow 1444
- ice blue 1636

p. 57

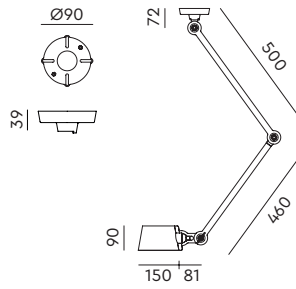




BOLT Ceiling 2 arm sidefit
Anton de Groof, 2016

Material: steel & aluminum
Weight: 1,9 kg
IP 20
Volt: 220-240 V | Max Watt: 60 Watt
Socket: E27

Wingnut solid brass included



- smokey black 1320
- flux green 1321
- pure white 1323
- midnight grey 1327
- ash grey 1326
- striking orange 1324
- lightning white 1322
- thunder blue 1325
- daybreak rose 1487
- sunny yellow 1445
- ice blue 1638

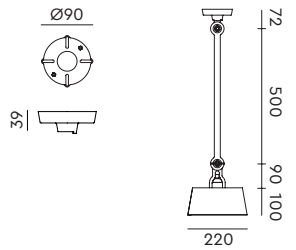
p. 57



BOLT Ceiling 1 arm upperfit
Anton de Groof, 2016

Material: steel & aluminum
Weight: 1,7 kg
IP 20
Volt: 220-240 V | Max Watt: 60 Watt
Socket: E27

Wingnut solid brass included



- smokey black 1312
- flux green 1313
- pure white 1315
- midnight grey 1319
- ash grey 1318
- striking orange 1316
- lightning white 1314
- thunder blue 1317
- daybreak rose 1490
- sunny yellow 1448
- ice blue 1640

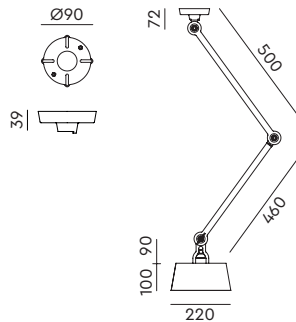
p. 56



BOLT Ceiling 2 arm upperfit
Anton de Groof, 2016

Material: steel & aluminum
Weight: 2,1 kg
IP 20
Volt: 220-240 V | Max Watt: 60 Watt
Socket: E27

Wingnut solid brass included



- smokey black 1328
- flux green 1329
- pure white 1331
- midnight grey 1335
- ash grey 1334
- striking orange 1332
- lightning white 1330
- thunder blue 1333
- daybreak rose 1491
- sunny yellow 1449
- ice blue 1642

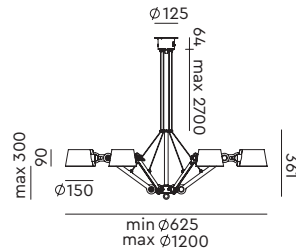
p. 56



BOLT Chandelier 6 arm
Anton de Groof, 2013

Material: steel & aluminum
Weight: 6,5 kg
IP 20
Volt: 220-240 V | Max Watt: 60 Watt
Socket: E27
Cord length: max 3000 mm

Wingnut solid brass included



- smokey black 1161
- flux green 1163
- pure white 1165
- midnight grey 1278
- ash grey 1168
- striking orange 1166
- lightning white 1164
- thunder blue 1167
- daybreak rose 1494
- sunny yellow 1452
- ice blue 1643

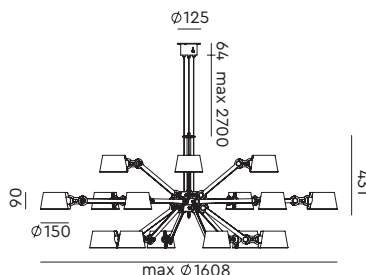
p. 59



BOLT Chandelier 18 arm
Anton de Groof, 2013

Material: steel & aluminum
Weight: 15 kg
IP 20
Volt: 220-240 V | Max Watt: 60 Watt
Socket: E27
Cord length: max 3000 mm

Wingnut solid brass included



- smokey black 1298
- flux green 1500
- pure white 1501
- midnight grey 1502
- ash grey 1503
- striking orange 1504
- lightning white 1505
- thunder blue 1506
- daybreak rose 1507
- sunny yellow 1508
- ice blue 1645

p. 59

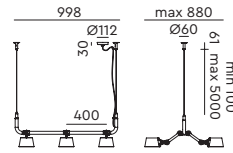




BOLT 6-pack pendant
Anton de Groof, 2013

Material: steel & aluminum
Weight: 7 kg
IP 20
Volt: 220–240 V | Max Watt: 60 Watt
Socket: E27
Cord length: max 5000 mm

Wingnut solid brass included



- smokey black 1170
- flux green 1097
- pure white 1098
- midnight grey 1103
- ash grey 1102
- striking orange 1100
- lightning white 1099
- thunder blue 1101
- daybreak rose 1495
- sunny yellow 1453
- ice blue 1646

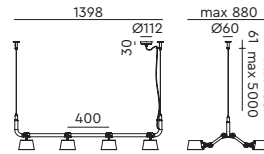
p. 61



BOLT 8-pack pendant
Anton de Groof, 2013

Material: steel & aluminum
Weight: 8,7 kg
IP 20
Volt: 220–240 V | Max Watt: 60 Watt
Socket: E27
Cord length: max 5000 mm

Wingnut solid brass included



- smokey black 1171
- flux green 1104
- pure white 1121
- midnight grey 1126
- ash grey 1125
- striking orange 1123
- lightning white 1122
- thunder blue 1124
- daybreak rose 1496
- sunny yellow 1454
- ice blue 1647

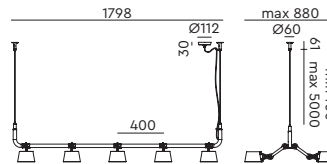
p. 61



BOLT 10-pack pendant
Anton de Groof, 2013

Material: steel & aluminum
Weight: 10,6 kg
IP 20
Volt: 220–240 V | Max Watt: 60 Watt
Socket: E27
Cord length: max 5000 mm

Wingnut solid brass included



- smokey black 1172
- flux green 1127
- pure white 1128
- midnight grey 1193
- ash grey 1191
- striking orange 1175
- lightning white 1174
- thunder blue 1190
- daybreak rose 1497
- sunny yellow 1455
- ice blue 1648

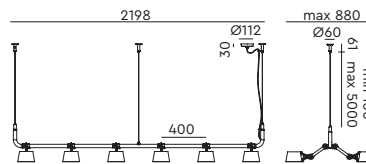
p. 61



BOLT 12-pack pendant
Anton de Groof, 2013

Material: steel & aluminum
Weight: 12,6 kg
IP 20
Volt: 220–240 V | Max Watt: 60 Watt
Socket: E27
Cord length: max 5000 mm

Wingnut solid brass included



- smokey black 1173
- flux green 1208
- pure white 1209
- midnight grey 1214
- ash grey 1213
- striking orange 1211
- lightning white 1210
- thunder blue 1212
- daybreak rose 1498
- sunny yellow 1456
- ice blue 1649

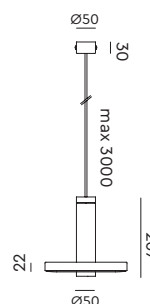
p. 61



BEADS Pendant box 50
Anton de Groof, 2018

Material: aluminum
Weight: 0,8 kg
IP 20
Volt: 220–240 V | 16 Watt
Dim to warm 2100K to 2800K
900 lumen | CRI: 90
Phase cut dimmable
Cord length: max 3000 mm

led



- smokey black 2000

p. 67

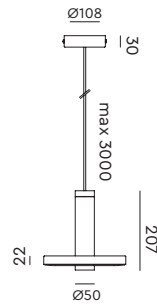


led integrated LED



BEADS Pendant box 108
Anton de Groof, 2018

Material: aluminum
Weight: 0,9 kg
IP 20
Volt: 220-240 V | 16 Watt
Dim to warm 2100K to 2800K
900 lumen | CRI: 90
Phase cut dimmable
Cord length: max 3000 mm

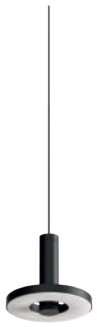


● smokey black

2010

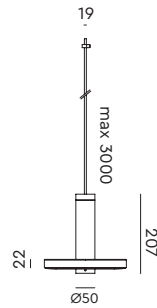
p. 67

led



BEADS Pendant
Anton de Groof, 2018

Material: aluminum
Weight: 0,8 kg
IP 20
Volt: 220-240 V | 16 Watt
Dim to warm 2100K to 2800K
900 lumen | CRI: 90
Phase cut dimmable
Cord length: max 3000 mm



● smokey black

2020

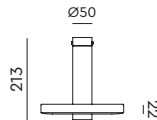
p. 67

led



BEADS Direct inside
Anton de Groof, 2018

Material: aluminum
Weight: 0,8 kg
IP 20
Volt: 220-240 V | 16 Watt
Dim to warm 2100K to 2800K
900 lumen | CRI: 90
Phase cut dimmable



● smokey black

2030

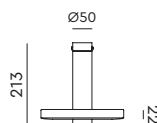
p. 69

led



BEADS Direct outside
Anton de Groof, 2018

Material: aluminum
Weight: 0,8 kg
IP 20
Volt: 220-240 V | 16 Watt
Dim to warm 2100K to 2800K
900 lumen | CRI: 90
Phase cut dimmable



● smokey black

3000

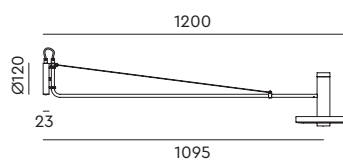
p. 69

led



BEADS Wall 120 with cord
Anton de Groof, 2018

Material: aluminum & steel
Weight: 1,9 kg
IP 20
Volt: 220-240 V | 16 Watt
Dim to warm 2100K to 2800K
900 lumen | CRI: 90
Dimmable on fixture
Cord length: 2700 mm



● smokey black

2040

p. 76

led

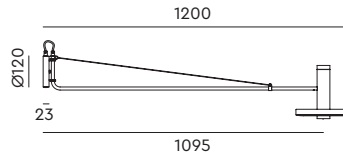
BEADS Wall 120 install
Anton de Groof, 2018

● smokey black

2050



Material: aluminum & steel
Weight: 1,9 kg
IP 20
Volt: 220-240 V | 16 Watt
Dim to warm 2100K to 2800K
900 lumen | CRI: 90
Phase cut dimmable



p. 76

led

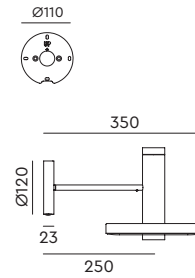
BEADS Wall 35 downlight with cord
Anton de Groof, 2018

● smokey black

2060



Material: aluminum & steel
Weight: 1,3 kg
IP 20
Volt: 220-240 V | 16 Watt
Dim to warm 2100K to 2800K
900 lumen | CRI: 90
Dimmable on fixture
Cord length: 2600 mm



p. 77

led

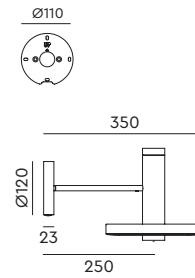
BEADS Wall 35 downlight install
Anton de Groof, 2018

● smokey black

2070



Material: aluminum & steel
Weight: 1,3 kg
IP 20
Volt: 220-240 V | 16 Watt
Dim to warm 2100K to 2800K
900 lumen | CRI: 90
Phase cut dimmable



p. 77

led

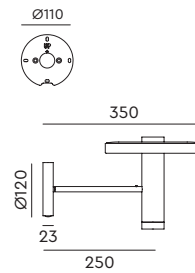
BEADS Wall 35 uplight with cord
Anton de Groof, 2018

● smokey black

2080



Material: aluminum & steel
Weight: 1,3 kg
IP 20
Volt: 220-240 V | 16 Watt
Dim to warm 2100K to 2800K
900 lumen | CRI: 90
Dimmable on fixture
Cord length: 2600 mm



p. 77

led

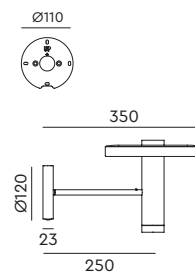
BEADS Wall 35 uplight install
Anton de Groof, 2018

● smokey black

2090



Material: aluminum & steel
Weight: 1,3 kg
IP 20
Volt: 220-240 V | 16 Watt
Dim to warm 2100K to 2800K
900 lumen | CRI: 90
Phase cut dimmable



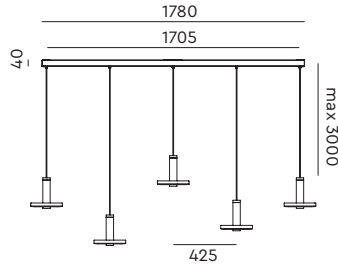
p. 77

led



BEADS Five in line
Anton de Groof, 2018

Material: aluminum
Weight: 5 kg
IP 20
Volt: 220-240 V | 80 Watt
Dim to warm 2100K to 2800K
4500 lumen | CRI: 90
Phase cut dimmable



● smokey black 3010

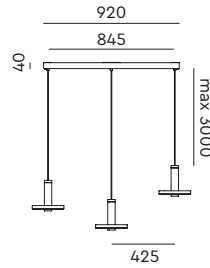
p. 72

led



BEADS Three in line
Anton de Groof, 2018

Material: aluminum
Weight: 3 kg
IP 20
Volt: 220-240 V | 48 Watt
Dim to warm 2100K to 2800K
2700 lumen | CRI: 90
Phase cut dimmable



● smokey black 3020

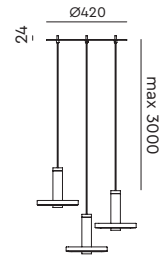
p. 73

led



BEADS Three in circle
Anton de Groof, 2018

Material: aluminum
Weight: 3,1 kg
IP 20
Volt: 220-240 V | 48 Watt
Dim to warm 2100K to 2800K
2700 lumen | CRI: 90
Phase cut dimmable



● smokey black 3030

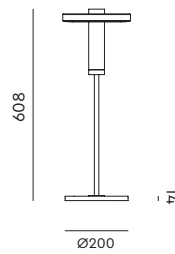
p. 75

led



BEADS Table uplight
Anton de Groof, 2018

Material: aluminum & steel
Weight: 4 kg
IP 20
Volt: 220-240 V | 16 Watt
Dim to warm 2100K to 2800K
900 lumen | CRI: 90
Dimmable on fixture
Cord length: 2400 mm



● smokey black 3060

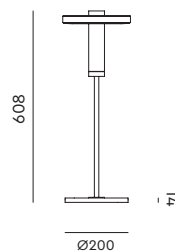
p. 79

led



BEADS Table downlight
Anton de Groof, 2018

Material: aluminum & steel
Weight: 4 kg
IP 20
Volt: 220-240 V | 16 Watt
Dim to warm 2100K to 2800K
900 lumen | CRI: 90
Dimmable on fixture
Cord length: 2400 mm



● smokey black 3070

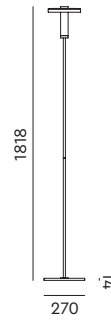
p. 79

led



BEADS Floor uplight
Anton de Groof, 2018

Material: aluminum & steel
Weight: 7,6 kg
IP 20
Volt: 220-240 V | 16 Watt
Dim to warm 2100K to 2800K
900 lumen | CRI: 90
Cord length: 2100 mm
Dimmer on cord



● smokey black 3040

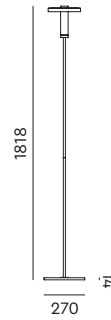
p. 79

led



BEADS Floor downlight
Anton de Groof, 2018

Material: aluminum & steel
Weight: 7,6 kg
IP 20
Volt: 220-240 V | 16 Watt
Dim to warm 2100K to 2800K
900 lumen | CRI: 90
Cord length: 2100 mm
Dimmer on cord



● smokey black 3050

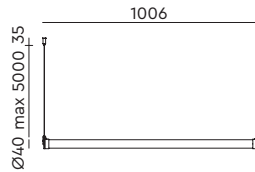
p. 79

led



MR. TUBES LED Pendant horizontal | 2700K | driver separate
Anton de Groof, 2019

Material: aluminum & steel
Weight: 0,8 kg
IP 20
Volt: 220-240 V | 11 Watt
1235 lumen | 2700K | CRI: >90
Phase cut dimmable



● smokey black with black cords 4000

○ pure white with orange cords 4002

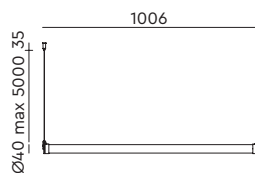
p. 85

led



MR. TUBES LED Pendant horizontal | 4000K | driver separate
Anton de Groof, 2019

Material: aluminum & steel
Weight: 0,8 kg
IP 20
Volt: 220-240 V | 11 Watt
1235 lumen | 4000K | CRI: >90
Phase cut dimmable



● smokey black with black cords 4001

○ pure white with orange cords 4003

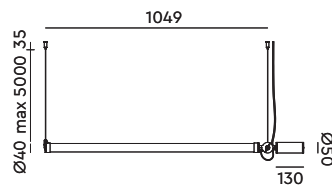
p. 85

led



MR. TUBES LED Pendant horizontal | 2700K | driver on fixture
Anton de Groof, 2019

Material: aluminum & steel
Weight: 1,3 kg
IP 20
Volt: 220-240 V | 11 Watt
1235 lumen | 2700K | CRI: >90
Phase cut dimmable



● smokey black with black cords 4005

○ pure white with orange cords 4007

p. 85

led

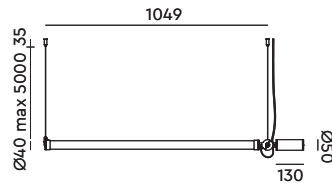
Wingnut solid brass included



MR. TUBES LED Pendant
horizontal | 4000K | driver on fixture
Anton de Groof, 2019

Material: aluminum & steel
Weight: 1,3 kg
IP 20
Volt: 220-240 V | 11 Watt
1235 lumen | 4000K | CRI: >90
Phase cut dimmable

Wingnut solid brass included



- smokey black with black cords 4006
- pure white with orange cords 4008

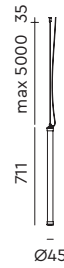
p. 85

led



MR. TUBES LED Pendant
vertical 700 | 2700K
Anton de Groof, 2019

Material: aluminum & steel
Weight: 0,7 kg
IP 20
Volt: 220-240 V | 8 Watt
865 lumen | 2700K | CRI: >90
Phase cut dimmable



- smokey black with black cords 4010
- pure white with orange cords 4011

p. 84

led



MR. TUBES LED Pendant
vertical 700 | 4000K
Anton de Groof, 2019

Material: aluminum & steel
Weight: 0,7 kg
IP 20
Volt: 220-240 V | 8 Watt
865 lumen | 4000K | CRI: >90
Phase cut dimmable



- smokey black with black cords 4012
- pure white with orange cords 4013

p. 84

led



MR. TUBES LED Pendant
vertical 1000 | 2700K
Anton de Groof, 2019

Material: aluminum & steel
Weight: 0,8 kg
IP 20
Volt: 220-240 V | 11 Watt
1235 lumen | 2700K | CRI: >90
Phase cut dimmable



- smokey black with black cords 4014
- pure white with orange cords 4017

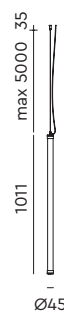
p. 84

led



MR. TUBES LED Pendant
vertical 1000 | 4000K
Anton de Groof, 2019

Material: aluminum & steel
Weight: 0,8 kg
IP 20
Volt: 220-240 V | 11 Watt
1235 lumen | 4000K | CRI: >90
Phase cut dimmable



- smokey black with black cords 4018
- pure white with orange cords 4019

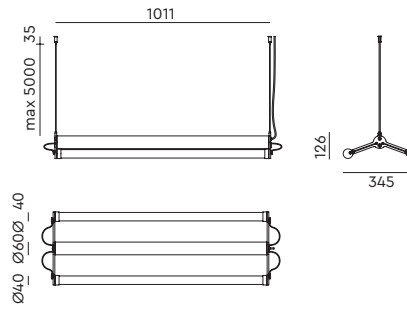
p. 84

led



MR. TUBES LED Double 2700K
Anton de Groof, 2019

Material: aluminum & steel
Weight: 3,9 kg
IP 20
Volt: 220-240 V | 23 Watt
2272 lumen | 2700K | CRI: >90
Phase cut dimmable



- smokey black with black cords 4015
- pure white with orange cords 4020

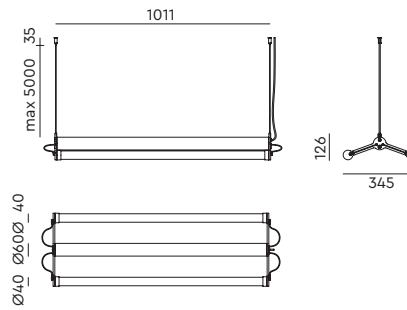
p. 87

led



MR. TUBES LED Double 4000K
Anton de Groof, 2019

Material: aluminum & steel
Weight: 3,9 kg
IP 20
Volt: 220-240 V | 23 Watt
2272 lumen | 4000K | CRI: >90
Phase cut dimmable



- smokey black with black cords 4016
- pure white with orange cords 4021

p. 87

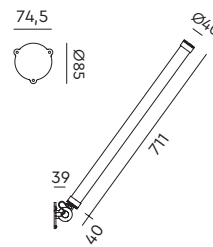
led



MR. TUBES LED Wall driver separate 2700K
Anton de Groof, 2019

Material: aluminum & steel
Weight: 1,1 kg
IP 20 | Volt: 220-240 V | 8 Watt
865 lumen | 2700K | CRI: >90
Phase cut dimmable

Wingnut solid brass included



- smokey black with black cords 4035
- pure white with orange cords 4037

p. 89

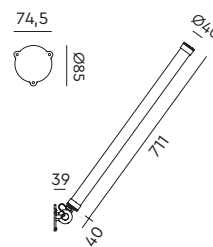
led



MR. TUBES LED Wall driver separate 4000K
Anton de Groof, 2019

Material: aluminum & steel
Weight: 1,1 kg
IP 20 | Volt: 220-240 V | 8 Watt
865 lumen | 4000K | CRI: >90
Phase cut dimmable

Wingnut solid brass included



- smokey black with black cords 4036
- pure white with orange cords 4038

p. 89

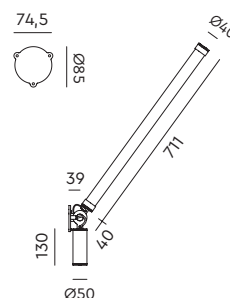
led



MR. TUBES LED Wall driver on fixture 2700K with cord
Anton de Groof, 2019

Material: aluminum & steel
Weight: 1,3 kg
IP 20 | Volt: 220-240 V | 8 Watt
865 lumen | 2700K | CRI: >90
Phase cut dimmable
Cord length: 3000 mm

Wingnut solid brass included



- smokey black with black cords 4039
- pure white with orange cords 4041

p. 89

led



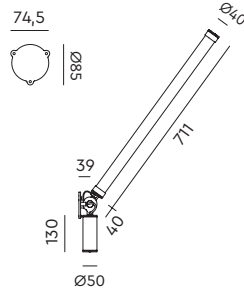
p. 89

MR. TUBES LED Wall driver on fixture 2700K install
Anton de Groof, 2019

Material: aluminum & steel
Weight: 1,3 kg
IP 20 | Volt: 220-240 V | 8 Watt
865 lumen | 2700K | CRI: >90
Phase cut dimmable

Wingnut solid brass included

led



- smokey black with black cords 4031
- pure white with orange cords 4033



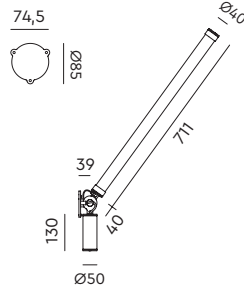
p. 89

MR. TUBES LED Wall driver on fixture 4000K with cord
Anton de Groof, 2019

Material: aluminum & steel
Weight: 1,3 kg
IP 20 | Volt: 220-240 V | 8 Watt
865 lumen | 4000K | CRI: >90
Phase cut dimmable
Cord length: 3000 mm

Wingnut solid brass included

led



- smokey black with black cords 4040
- pure white with orange cords 4042



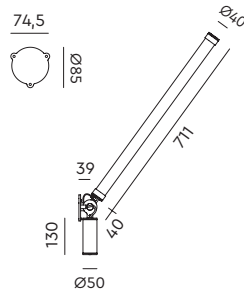
p. 89

MR. TUBES LED Wall driver on fixture 4000K install
Anton de Groof, 2019

Material: aluminum & steel
Weight: 1,3 kg
IP 20 | Volt: 220-240 V | 8 Watt
865 lumen | 4000K | CRI: >90
Phase cut dimmable

Wingnut solid brass included

led



- smokey black with black cords 4043
- pure white with orange cords 4044



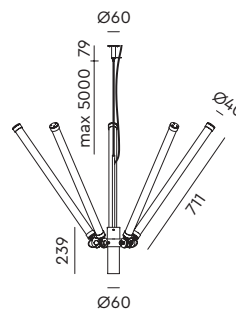
p. 91

MR. TUBES LED Chandelier 2700K
Anton de Groof, 2019

Material: aluminum & steel
Weight: 7,1 kg
IP 20 | Volt: 220-240 V | 40 Watt
4025 lumen | 2700K | CRI: >90
Phase cut dimmable
Cord length: max 5000 mm

Wingnut solid brass included

led



- smokey black with black cords 4045
- pure white with orange cords 4050



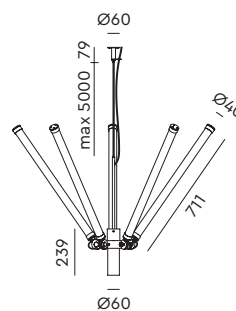
p. 91

MR. TUBES LED Chandelier 4000K
Anton de Groof, 2019

Material: aluminum & steel
Weight: 7,1 kg
IP 20 | Volt: 220-240 V | 40 Watt
4025 lumen | 4000K | CRI: >90
Phase cut dimmable
Cord length: max 5000 mm

Wingnut solid brass included

led



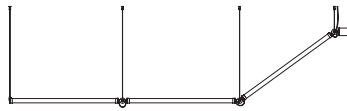
- smokey black with black cords 4046
- pure white with orange cords 4051

MR. TUBES LED Connect
Anton de Groof, 2019



Material: aluminum & steel
IP 20
Volt: 220-240 V
2700K or 4000K
CRI: >90

Wingnut solid brass included



Create your
Mr. Tubes LED
Connect with us

info@tonone.com

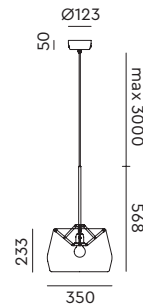
p. 93

led



ATLAS D350
Anton de Groof, 2015

Material: brass & hand blown glass
Weight: 4 kg
IP 20
Volt: 220-240 V | Max Watt: 60 Watt
Socket: E27
Cord length: max 3000 mm



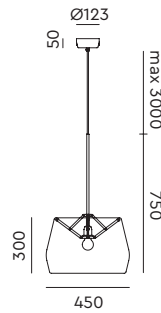
○ transparent 1400
● neutral grey 1401

p. 99



ATLAS D450
Anton de Groof, 2015

Material: brass & hand blown glass
Weight: 7,6 kg
IP 20
Volt: 220-240 V | Max Watt: 60 Watt
Socket: E27
Cord length: max 3000 mm



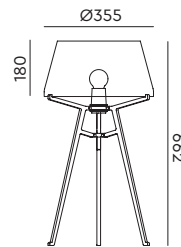
○ transparent 1403
● neutral grey 1404

p. 99



ELLA Black
Anton de Groof, 2016

Material: steel & hand blown glass
Weight: 5,1 kg
IP 20
Volt: 220-240 V | Max Watt: 60 Watt
Socket: E27
Cord length: 2800 mm
Dimmer on cord



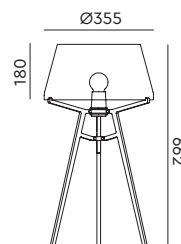
○ transparent 1407
● neutral grey 1406

p. 105



ELLA White
Anton de Groof, 2016

Material: steel & hand blown glass
Weight: 5,1 kg
IP 20
Volt: 220-240 V | Max Watt: 60 Watt
Socket: E27
Cord length: 2800 mm
Dimmer on cord



○ transparent 1409
● neutral grey 1408

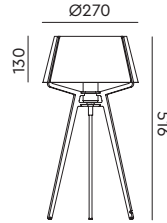
p. 105





BELLA Table
black anodized aluminum fitting
Anton de Groof, 2022

Material: aluminum & steel
Weight: 2,3 kg
IP 20
Volt: 220–240 V | Max Watt: 60 Watt
Socket: E27
Cord length: 2900 mm
Dimmer on cord



p. 33

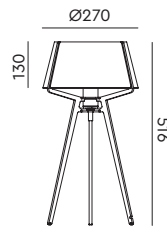


- smokey black 1664
- flux green 1665
- pure white 1666
- midnight grey 1667
- ash grey 1668
- striking orange 1669
- lightning white 1670
- thunder blue 1671
- daybreak rose 1672
- sunny yellow 1673
- ice blue 1674



BELLA Table
brass fitting
Anton de Groof, 2022

Material: aluminum, steel & brass
Weight: 2,3 kg
IP 20
Volt: 220–240 V | Max Watt: 60 Watt
Socket: E27
Cord length: 2900 mm
Dimmer on cord



p. 33

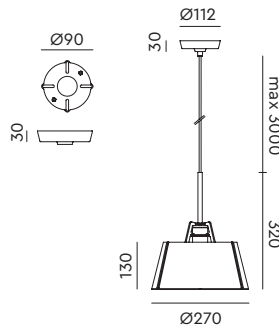


- smokey black 1653
- flux green 1654
- pure white 1655
- midnight grey 1656
- ash grey 1657
- striking orange 1658
- lightning white 1659
- thunder blue 1660
- daybreak rose 1661
- sunny yellow 1662
- ice blue 1663



BELLA Pendant
black anodized aluminum fitting
Anton de Groof, 2022

Material: aluminum & steel
Weight: 1 kg
IP 20
Volt: 220–240 V | Max Watt: 60 Watt
Socket: E27
Cord length: 2700 mm



p. 35

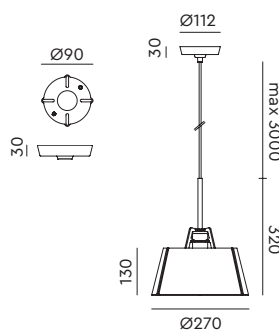


- smokey black 1686
- flux green 1687
- pure white 1688
- midnight grey 1689
- ash grey 1690
- striking orange 1691
- lightning white 1692
- thunder blue 1693
- daybreak rose 1694
- sunny yellow 1695
- ice blue 1696



BELLA Pendant
brass fitting
Anton de Groof, 2022

Material: aluminum, steel & brass
Weight: 1 kg
IP 20
Volt: 220–240 V | Max Watt: 60 Watt
Socket: E27
Cord length: 2700 mm



p. 35

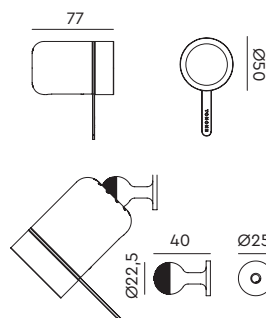


- smokey black 1675
- flux green 1676
- pure white 1677
- midnight grey 1678
- ash grey 1679
- striking orange 1680
- lightning white 1681
- thunder blue 1682
- daybreak rose 1683
- sunny yellow 1684
- ice blue 1685



ONE + Knob
Anton de Groof, 2022

Material: aluminum & steel
Weight: 0,3 kg
IP 20
Volt: 220–240 V | 1,5 Watt
2700 K | 230 lumen | CRI: 90
Dimmable on fixture
Battery: 5–30 hours
USB-C charging cable included
Cable length: 500 mm



p. 19

led

- smokey black 5045
- fuzzy white 5046
- heavy metal 5047
- fuzzy white with hell orange 5048
- Heavy metal with bright yellow 5049

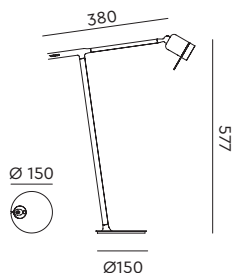


ONE + Desk
Anton de Groof, 2022

Material: aluminum & steel
Weight: 1,2 kg
IP 20
Volt: 220-240 V | 1,5 Watt
2700 K | 230 lumen | CRI: 90
Dimmable on fixture
Battery: 5-30 hours
USB-C charging cable
Cable length: 500 mm & 1500 mm

led

p. 21



- smokey black 5035
- fuzzy white 5036
- heavy metal 5037



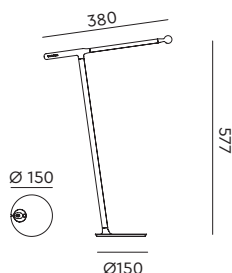
ONE Desk fixture
Anton de Groof, 2022

Material: aluminum & steel
Weight: 1 kg

USB-C charging cable
Cable length: 1500 mm



p. 21



- smokey black 5015
- fuzzy white 5016
- heavy metal 5017

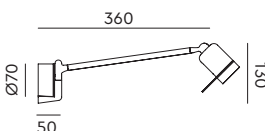


ONE + Wall
Anton de Groof, 2022

Material: aluminum & steel
Weight: 0,5 kg
IP 20
Volt: 220-240 V | 1,5 Watt
2700 K | 230 lumen | CRI: 90
Dimmable on fixture
Battery: 5-30 hours
USB-C charging cable included
Cable length: 500 mm

led

p. 27



- smokey black 5040
- fuzzy white 5041
- heavy metal 5042



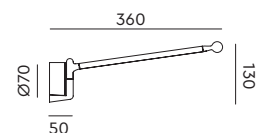
ONE Wall fixture
Anton de Groof, 2022

Material: aluminum & steel
Weight: 0,25 kg

USB-C charging cable included



p. 27



- smokey black 5020
- fuzzy white 5021
- heavy metal 5022

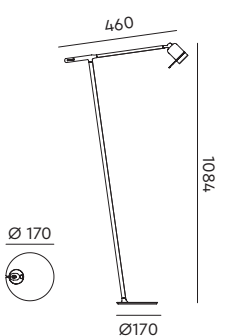


ONE + Floor
Anton de Groof, 2022

Material: aluminum & steel
Weight: 1,4 kg
IP 20
Volt: 220-240 V | 1,5 Watt
2700 K | 230 lumen | CRI: 90
Dimmable on fixture
Battery: 5-30 hours
USB-C charging cable
Cable length: 500 mm & 2500 mm

led

p. 23


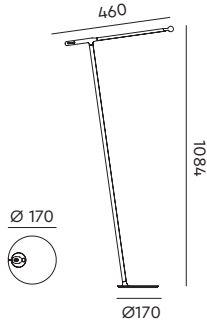


- smokey black 5030
- fuzzy white 5031
- heavy metal 5032


ONE Floor fixture
Anton de Groof, 2022

Material: aluminum & steel
Weight: 1,2 kg

USB-C charging cable
Cable length: 2500 mm


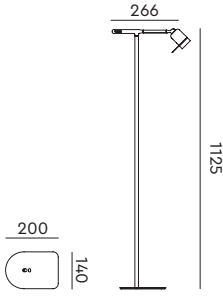



● smokey black 5010
○ fuzzy white 5011
● heavy metal 5012


p. 23 

ONE + Floor straight
Anton de Groof, 2022

Material: aluminum & steel
Weight: 1,4 kg
IP 20
Volt: 220–240 V | 1,5 Watt
2700 K | 230 lumen | CRI: 90
Dimmable on fixture
Battery: 5–30 hours
USB-C charging cable
Cable length: 500 mm & 2500 mm


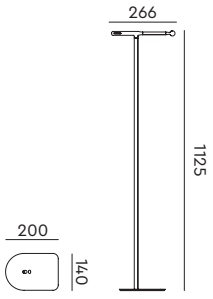
● smokey black 5050
○ fuzzy white 5051
● heavy metal 5052

p. 25  led


ONE Floor straight fixture
Anton de Groof, 2022

Material: aluminum & steel
Weight: 1,2 kg

USB-C charging cable
Cable length: 2500 mm

● smokey black 5055
○ fuzzy white 5056
● heavy metal 5057

p. 25 

ONE Knob
Anton de Groof, 2022



Material: steel
Weight: 0,08 kg




● smokey black 5025
○ fuzzy white 5026
● heavy metal 5027

ONE 3 Knob
Anton de Groof, 2022

Material: steel
Weight: 3 × 0,08 kg


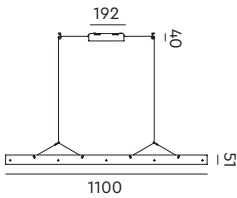



● smokey black 5058
○ fuzzy white 5059
● heavy metal 5060


p. 19

Bridge 110
Anton de Groof, 2023

Material: aluminum, acrylic & steel
Weight: 1,9 kg
IP 20
Volt: 220–240 V | 18,5 Watt
2700 K | 1180 lumen | CRI: >90
Mains dimmable
Cable length: 3000 mm

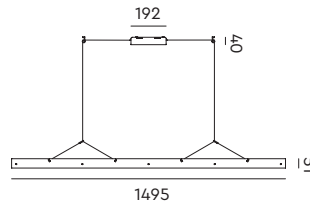
● lava orange 6000
● toxic green 6001
○ fog white 6002

p. 13  led



Bridge 150
Anton de Groof, 2023

Material: aluminum, acrylic & steel
Weight: 2,3 kg
IP 20
Volt: 220-240 V | 25 Watt
2700 K | 1625 lumen | CRI: >90
Mains dimmable
Cable length: 3000 mm



- lava orange 6005
- toxic green 6006
- fog white 6007

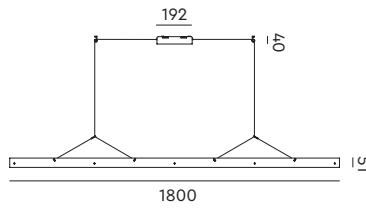
p. 13

led



Bridge 180
Anton de Groof, 2023

Material: aluminum, acrylic & steel
Weight: 2,6 kg
IP 20
Volt: 220-240 V | 32 Watt
2700 K | 2125 lumen | CRI: >90
Mains dimmable
Cable length: 3000 mm



- lava orange 6010
- toxic green 6011
- fog white 6012

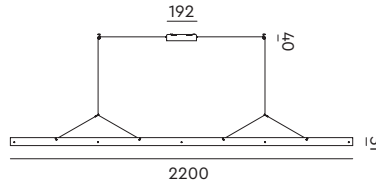
p. 13

led



Bridge 220
Anton de Groof, 2023

Material: aluminum, acrylic & steel
Weight: 3 kg
IP 20
Volt: 220-240 V | 38 Watt
2700 K | 2497 lumen | CRI: >90
Mains dimmable
Cable length: 3000 mm



- lava orange 6015
- toxic green 6016
- fog white 6017

p. 13

led

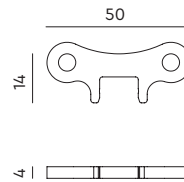


Wingnut

Material: solid brass, copper, stainless steel or black aluminium

Wingnut Solid Brass included with the Bolt Collection and Mr. Tubes LED Pendant horizontal, Wall driver on fixture and Chandelier.

Sold per 10 pieces



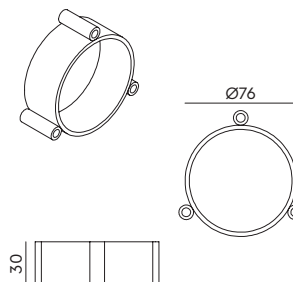
- solid brass 1300
- copper 1302
- stainless steel 1303
- black aluminium 1301



Wall ring

Material: steel
Optional ring for installation of:

- Bolt Wall install
- Bolt Wall small install
- Bolt Wall mini install
- Bolt Wall underfit install
- Bolt Bed sidefit install
- Bolt Bed underfit install
- Mr. Tubes led wall driver separate install
- Mr. Tubes led wall driver on fixture install



- smokey black 1385
- flux green 1386
- pure white 1387
- midnight grey 1388
- ash grey 1389
- striking orange 1390
- lightning white 1391
- thunder blue 1392
- daybreak rose 1393
- sunny yellow 1394
- ice blue 1650



Special thanks to:

PHOTOGRAPHY

Frank van Delft

Wonderwood – Laura Westendorp

LOCATIONS

Abe van der Heijden

Arianne Bonthuis

Anette Buchta

CapCabin

Carrier Transicold

Go Dutch Label

Gulf – Studio Vennix

Interior Vitamins

Janniene Brouwer

Judith en Peter de Vries

Karton Studio

Kirsti Bertrums

Lexson Fashion Brand

Marijn Jostmeijer

Meja B.V.

Roel Vaessen & Ruud van den Akker

Studio Bovitec

Studio ByFrank

Theater de Kattendans

Visserette Polpo

Tonone

Veemarktkade 8 – 6117

5222 AE Den Bosch

The Netherlands

info@tonone.com

www.tonone.com

+31 (0) 85 782 13 33

BTW / VAT NL 8532 13 215 B01

KVK / CH.O.C. 58 86 26 92



tonone_official

All information provided in this catalog is subject to change
and may contain errors or inaccuracies

copyright © Tonone 2024

All rights reserved



